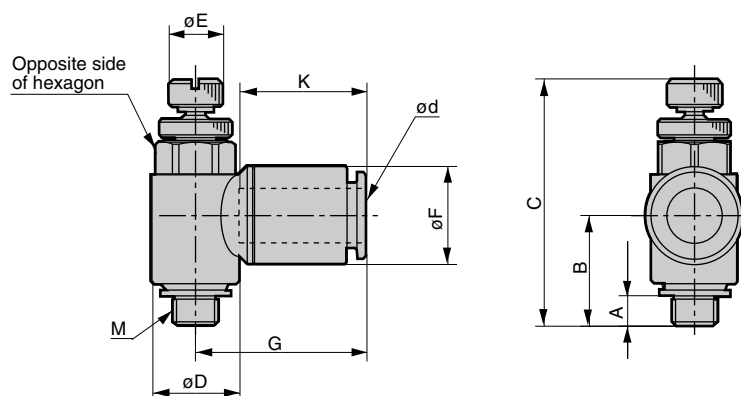


Dimensions

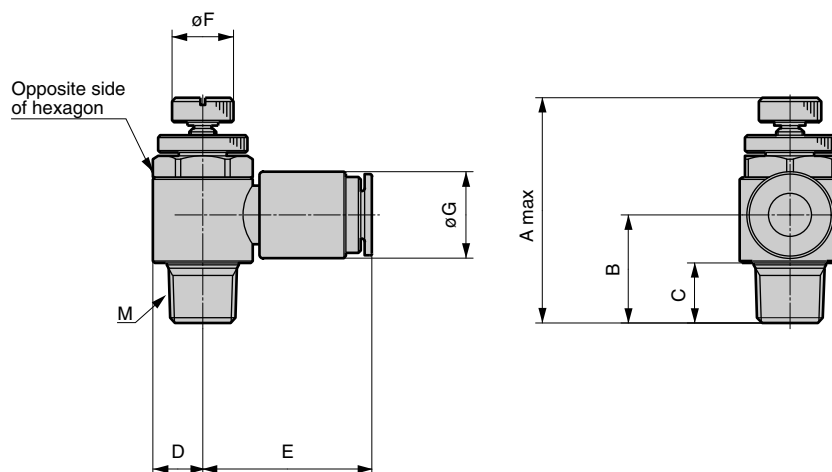


● SC3W-M₅³-*



Model no.	ød (Applicable tube O.D.)	M	A	B	C		D	E	F	G	K (tube insertion length)	Opposite side of hexagon
					MAX	MIN						
SC3W-M3-3	ø3.2	M3×0.5	2.4	11.4	27.6	25.1	7.4	5	7.5	15.5	11.7	7
SC3W-M3-4	ø4	M3×0.5	2.4	11.4	27.6	25.1	7.4	5	8.8	16.6	12.9	7
SC3W-M5-3	ø3.2	M5×0.8	3.4	12.4	30.2	27.2	9.6	6	7.5	16.0	11.7	8
SC3W-M5-4	ø4	M5×0.8	3.4	12.4	30.2	27.2	9.6	6	8.8	17.2	12.9	8
SC3W-M5-6	ø6	M5×0.8	3.4	12.4	30.2	27.2	9.6	6	10.8	18.8	14.0	8

● SC3W-⁶/₁₀⁸-* (as same as low speed type/standard (SC3W-6))



Model no.	M	Applicable tube O.D.	A	B	C	D	E	F	G	Opposite side of hexagon
SC3W-6-4	R1/8	ø4	38.4	16.2	8	7.3	23.1	9	10.0	13
SC3W-6-6		ø6	38.4	15.7	8	7.3	24.1	9	12.5	13
SC3W-6-8		ø8	38.4	15.4	8	7.3	25.3	9	14.5	13
SC3W-8-6	R1/4	ø6	51.2	24.9	11	9.5	27.2	12	13.8	17
SC3W-8-8		ø8	51.2	24.9	11	9.5	28.5	12	16.3	17
SC3W-8-10		ø10	51.2	23.9	11	9.5	32.0	12	19.3	17
SC3W-10-6	R3/8	ø6	52.4	23.1	12	11.3	28.3	14	12.5	19
SC3W-10-8		ø8	60.2	29.8	12	11.3	30.3	14	16.3	19
SC3W-10-10		ø10	60.2	30.0	12	11.3	33.8	14	19.3	19
SC3W-10-12		ø12	60.2	29.3	12	11.3	37.8	14	21.3	19
SC3W-15-10	R1/2	ø10	66.7	33.8	15	13.5	36.0	16	19.3	24
SC3W-15-12		ø12	66.7	33.8	15	13.5	40.0	16	21.3	24

- Refrigerating type dryer
- Desiccant type dryer
- High polymer membrane type dryer
- Air filter
- Auto. drain / others
- F.R.L. (Module unit)
- F.R.L. (Separate)
- Compact F.R.
- Precise regulator
- F.R.L. (Related products)
- Clean F.R.
- Electro pneumatic regulator
- Air booster
- Speed control valve
- Silencer
- Check valve / others
- Joint / tube
- Vacuum filter
- Vacuum regulator
- Suction plate
- Magnetic spring buffer
- Mechanical pressure SW
- Electronic pressure SW
- Contact / close contact cont. SW
- Air sensor
- Pressure SW for coolant
- Small flow sensor
- Small flow controller
- Flow sensor for air
- Flow sensor for water
- Total air system
- Total air system (Gamma)

Elbow type with push-in joint
Speed control valve