



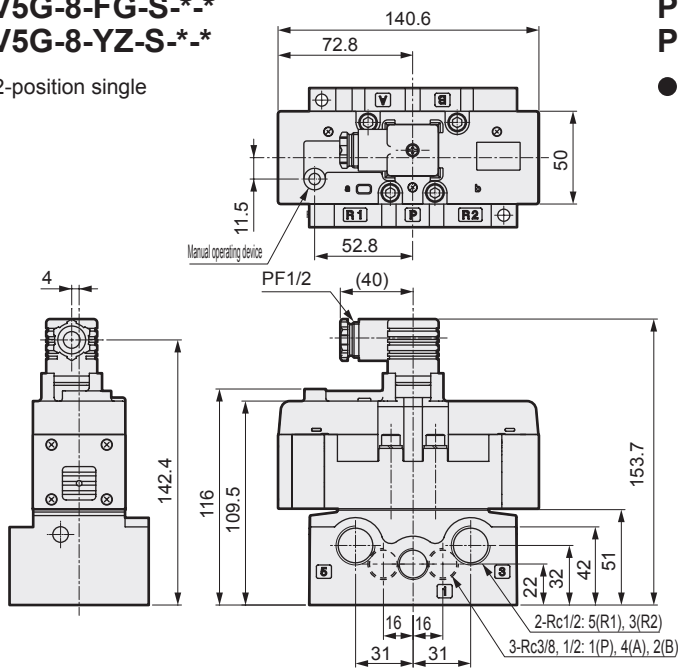
# PV5G-8 Series

Discrete valve; ISO size 2

Dimensions: DIN terminal box type (with sub-plate)

**PV5G-8-FG-S-\*\*-\***  
**PV5G-8-YZ-S-\*\*-\***

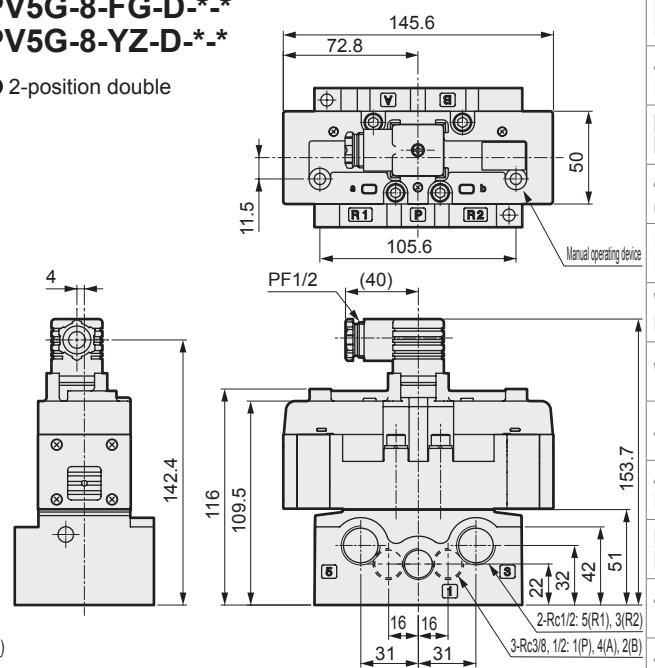
● 2-position single



(Note: Refer to the following table for CB2-A06 dimensions.)

**PV5G-8-FG-D-\*\*-\***  
**PV5G-8-YZ-D-\*\*-\***

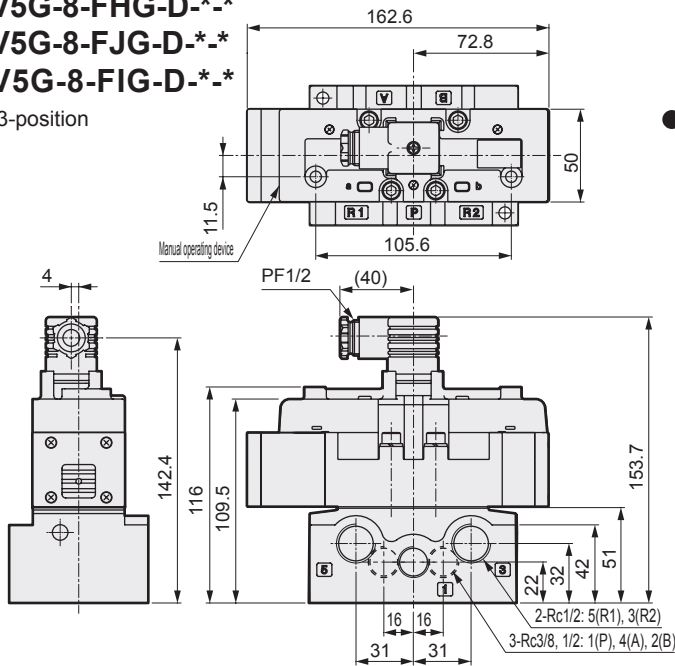
● 2-position double



(Note: Refer to the following table for CB2-A06 dimensions.)

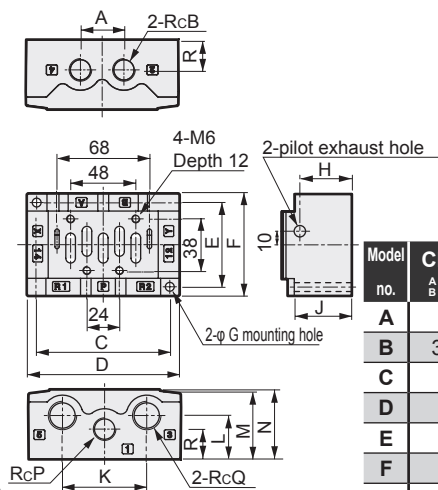
**PV5G-8-FHG-D-\*\*-\***  
**PV5G-8-FJG-D-\*\*-\***  
**PV5G-8-FIG-D-\*\*-\***

● 3-position



(Note: Refer to the table on the right for CB2-A06 dimensions.)

● Sub-plate dimensions (CB2-\*)



Model no.	CB2- A03	CB2- A04	CB2 A06
A	32	40	
B	3/8	1/2	3/4
C	98	128	
D	112	142	
E	62	72	
F	75	86	
G	6.5	7.5	
H	38	53	
J	42	55	
K	62	84	
L	32	42	
M	50	62	
N	51	63	
P	3/8	1/2	3/4
Q	1/2	3/4	
R	22	30	

- 4GA/B
- M4GA/B
- 4GA4/B4
- MN4GA/B
- 4GA/B (Master)
- MN3E
- MN4E
- W4GA/B2
- W4GB4
- 4TB
- 4L2-4/LMF0
- MN3S0
- MN4S0
- 4SA/B0
- 4KA/B
- 4KA/B (Master)
- 4F
- 4F (Master)
- PV5G**
- GMF**
- PV5
- GMF
- PV5S-0
- 3QR
- 3QB
- 3MA/B0
- 3PA/B
- P/MB
- NP/NAP
- NVP
- 4F\*0E
- HMV
- HSV
- 2QV
- 3QV
- SKH
- PCD
- Silencer
- Total air system
- Total air system (Gamma)
- Ending