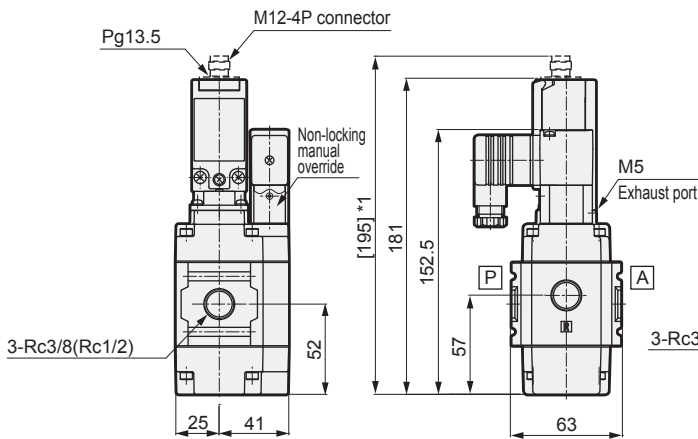
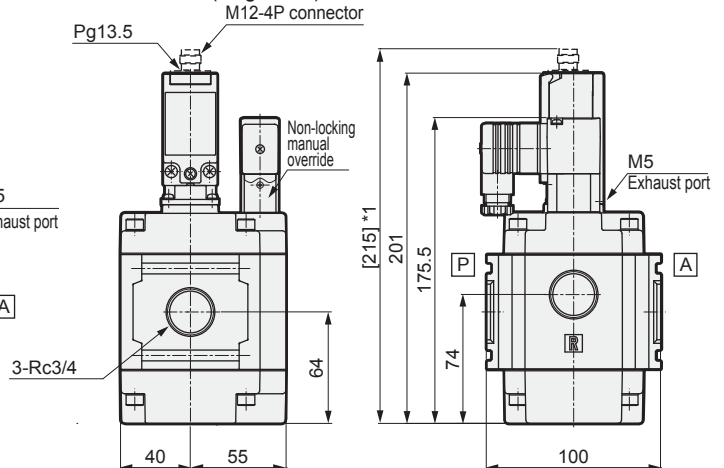


Dimensions

● SNP-1L-10A/15A (single unit)



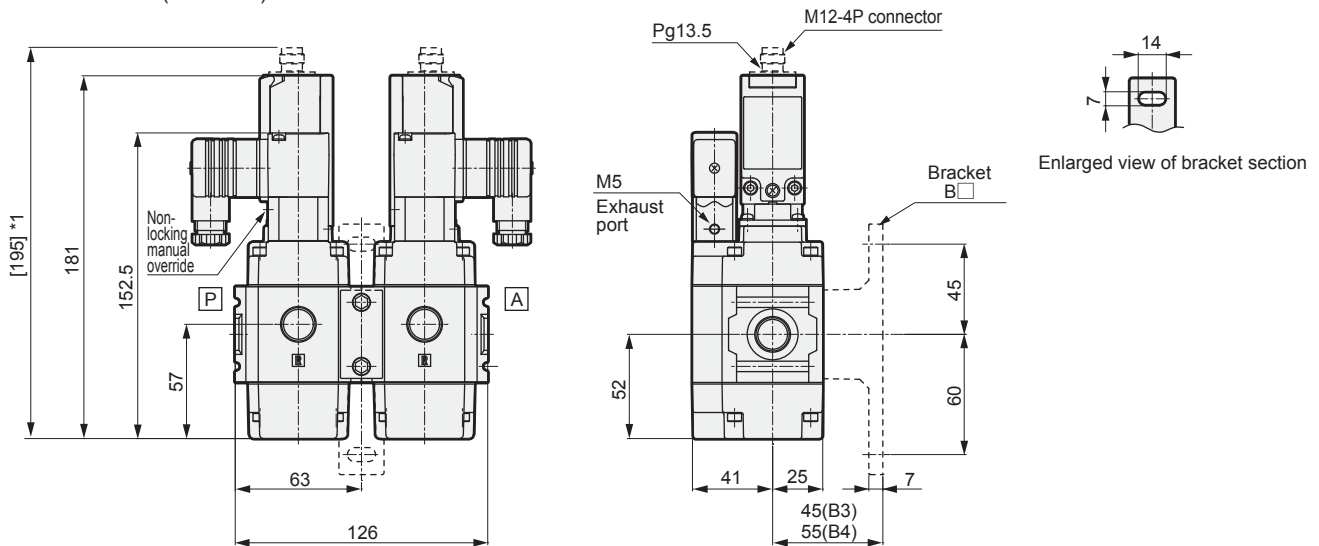
● SNP-1L-20A (single unit)



*1 : [] shows dimensions when M12-4P connector (M) is selected

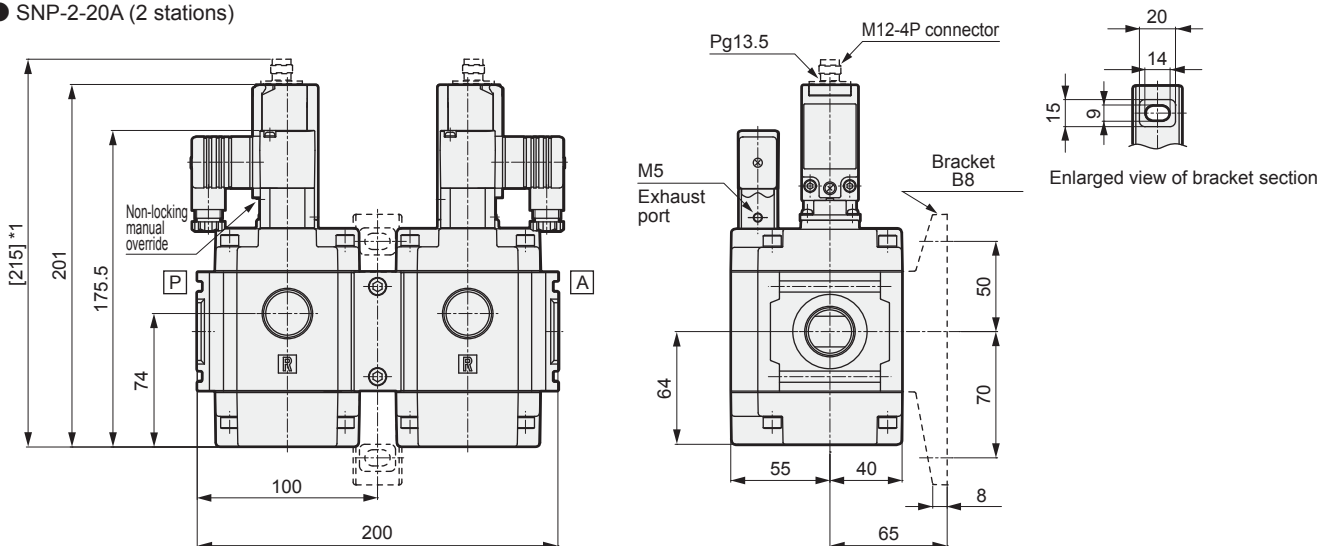
*2 : For 1R, the wiring of the terminal box and limit switch is positioned to the right.

● SNP-2-10A/15A (2 stations)



*1 : [] shows dimensions when M12-4P connector (M) is selected

● SNP-2-20A (2 stations)



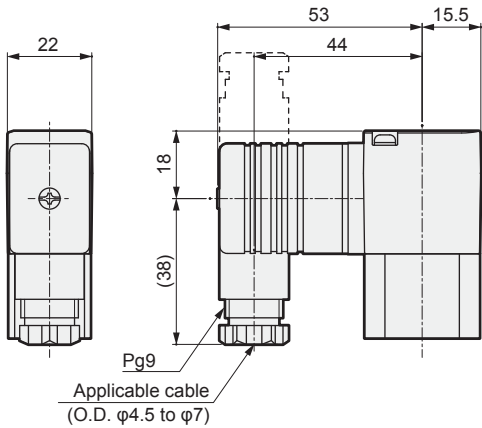
*1 : [] shows dimensions when M12-4P connector (M) is selected

- EXA
- FWD
- HNB/G
- USB/G
- FAB/G
- FGB/G
- FVB
- FWB/G
- FHB
- FLB
- AB
- AG
- AP/
AD
- APK/
ADK
- DryAir
- EX-
XPLNprf
- XPLNprf
- HVB/
HVL
- SAB/
NAB
- LAD/
NAD
- Water-
Rela
- NP/NAP/
NVP
- SNP**
- CHB/G
- MXB/G
- Other
valves
- SWD/
MWD
- DustColl
- CVE/
CVSE
- CCH /
CPE/D
- LifeSci
- Gas-
Combus
- Auto-
Water
- SpecFld
- Custom
- Ending

Coil optional dimensions

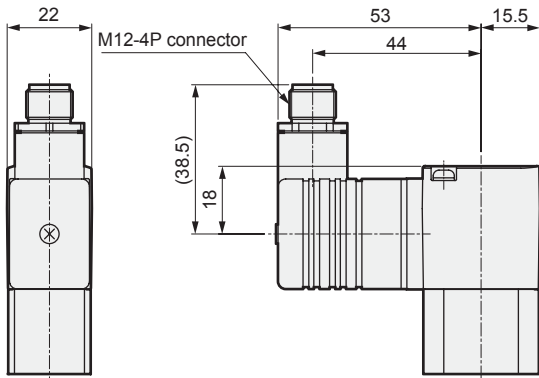
- DIN terminal box (Pg9)
- DIN terminal box with lamp/surge suppressor (Pg9)

SNP-* 2G
2HS

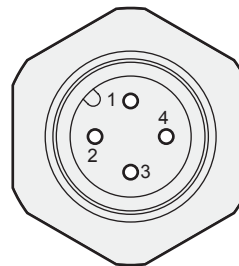


- DIN terminal box (M12-4P connector)
- DIN terminal box with lamp/surge suppressor (M12-4P connector)

SNP-* 2J
2KS



Connector pin array



PIN No.	Applications
1PIN	Ground
2PIN	(Not used)
3PIN	Power supply -
4PIN	Power supply +

* As it is a screw-in, the connector pin positions may not be the same as those shown above.