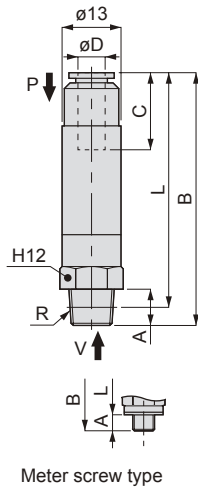


Dimensions

● VSU-*-*S (atmospheric release with silencer)

Unit: mm

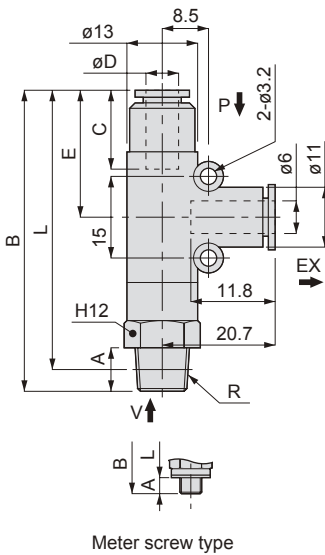


| Model no. | O.D. øD | R | A | B | L | C | Nozzle diameter (mm) | Ultimate vacuum (-kPa) | Suction flow (l/min. (ANR)) | Air consumption (l/min. (ANR)) | Weight (g) | | | | | | | | |
|---------------|------------|----------|---|------|------|------|----------------------|------------------------|-----------------------------|--------------------------------|------------|----|------|----|------|----|----|------|------|
| VSU-H 05-M54S | 4 | M5 x 0.8 | 3 | 50.3 | 47.3 | 10.9 | 0.5 | 90 | 7 | 11.5 | 17.5 | | | | | | | | |
| VSU-H 05-M56S | 6 | | | 51.3 | 48.3 | 11.7 | | | | | 17 | | | | | | | | |
| VSU-H 05-6A4S | 4 | R1/8 | 8 | 54.3 | 50.3 | 10.9 | | | | | 0.7 | 92 | 12.5 | 23 | 20 | | | | |
| VSU-H 05-6A6S | 6 | | | 55.3 | 51.3 | 11.7 | | | | | | | | | 19.5 | | | | |
| VSU-H 07-M54S | 4 | M5 x 0.8 | 3 | 57.1 | 54.1 | 10.9 | | | | | | | | | 0.5 | 66 | 12 | 11.5 | 19 |
| VSU-H 07-M56S | 6 | | | 57.8 | 54.8 | 11.7 | | | | | | | | | | | | | 18 |
| VSU-H 07-6A4S | 4 | R1/8 | 8 | 61.1 | 57.1 | 10.9 | 0.7 | 90 | 10 | 17 | | | | | | | | | 21 |
| VSU-H 07-6A6S | 6 | | | 61.8 | 57.8 | 11.7 | | | | | | | | | | | | | 20.5 |
| VSU-L 05-M54S | 4 | M5 x 0.8 | 3 | 50.3 | 47.3 | 10.9 | | | | | 0.5 | 66 | 20 | 23 | | | | | 19 |
| VSU-L 05-M56S | 6 | | | 51.3 | 48.3 | 11.7 | | | | | | | | | | | | | 18 |
| VSU-L 05-6A4S | 4 | R1/8 | 8 | 54.3 | 50.3 | 10.9 | | | | | | | | | 0.7 | 92 | 22 | 23 | 21 |
| VSU-L 05-6A6S | 6 | | | 55.3 | 51.3 | 11.7 | | | | | | | | | | | | | 20.5 |
| VSU-L 07-M54S | 4 | M5 x 0.8 | 3 | 57.1 | 54.1 | 10.9 | 0.7 | 90 | 10 | 17 | | | | | | | | | 19 |
| VSU-L 07-M56S | 6 | | | 57.8 | 54.8 | 11.7 | | | | | | | | | | | | | 18 |
| VSU-L 07-6A4S | 4 | R1/8 | 8 | 61.1 | 57.1 | 10.9 | | | | | 0.7 | 90 | 10 | 17 | | | | | 21.5 |
| VSU-L 07-6A6S | 6 | | | 61.8 | 57.8 | 11.7 | | | | | | | | | | | | | 20.5 |
| VSU-E 07-M54S | 4 | M5 x 0.8 | 3 | 57.1 | 54.1 | 10.9 | | | | | | | | | 0.7 | 90 | 10 | 17 | 19 |
| VSU-E 07-M56S | 6 | | | 57.8 | 54.8 | 11.7 | | | | | | | | | | | | | 19 |
| VSU-E 07-6A4S | 4 | R1/8 | 8 | 61.1 | 57.1 | 10.9 | 0.7 | 90 | 10 | 17 | | | | | | | | | 21.5 |
| VSU-E 07-6A6S | 6 | | | 61.8 | 57.8 | 11.7 | | | | | | | | | | | | | 20.5 |

Note 1: L dimensions for tapered screws are reference dimensions applicable after screw tightening.
 Note 2: M5 screw's opposite hexagon side is knurled. H12 applies to 6A (R1/8) screw.

● VSU-*-*J (common exhaust)

Unit: mm



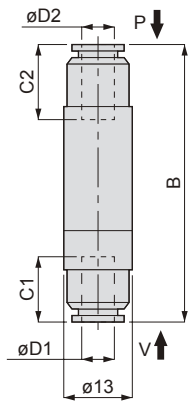
| Model no. | O.D. øD | R | A | B | L | C | E | Nozzle diameter (mm) | Ultimate vacuum (-kPa) | Suction flow (l/min. (ANR)) | Air consumption (l/min. (ANR)) | Weight (g) | | | | | | | | |
|---------------|------------|----------|---|------|------|------|------|----------------------|------------------------|-----------------------------|--------------------------------|------------|----|------|------|------|----|----|----|------|
| VSU-H 05-M54J | 4 | M5 x 0.8 | 3 | 50.3 | 47.3 | 11.2 | 22.3 | 0.5 | 90 | 7 | 11.5 | 20 | | | | | | | | |
| VSU-H 05-M56J | 6 | | | 51.3 | 48.3 | 11.9 | 23.3 | | | | | 19.5 | | | | | | | | |
| VSU-H 05-6A4J | 4 | R1/8 | 8 | 54.3 | 50.3 | 11.2 | 22.3 | | | | | 0.7 | 92 | 12.5 | 23 | 22.5 | | | | |
| VSU-H 05-6A6J | 6 | | | 55.3 | 51.3 | 11.9 | 23.3 | | | | | | | | | 22 | | | | |
| VSU-H 07-M54J | 4 | M5 x 0.8 | 3 | 57.1 | 54.1 | 11.2 | 29.1 | | | | | | | | | 0.5 | 66 | 20 | 23 | 21 |
| VSU-H 07-M56J | 6 | | | 57.8 | 54.8 | 11.9 | 29.8 | | | | | | | | | | | | | 20.5 |
| VSU-H 07-6A4J | 4 | R1/8 | 8 | 61.1 | 57.1 | 11.2 | 29.1 | 0.7 | 90 | 10 | 17 | | | | | | | | | 23.5 |
| VSU-H 07-6A6J | 6 | | | 61.8 | 57.8 | 11.9 | 29.8 | | | | | | | | | | | | | 23 |
| VSU-L 05-M54J | 4 | M5 x 0.8 | 3 | 50.3 | 47.3 | 11.2 | 22.3 | | | | | 0.5 | 66 | 12 | 11.5 | | | | | 19.5 |
| VSU-L 05-M56J | 6 | | | 51.3 | 48.3 | 11.9 | 23.3 | | | | | | | | | | | | | 22 |
| VSU-L 05-6A4J | 4 | R1/8 | 8 | 54.3 | 50.3 | 11.2 | 22.3 | | | | | | | | | 0.7 | 92 | 22 | 23 | 21.5 |
| VSU-L 05-6A6J | 6 | | | 55.3 | 51.3 | 11.9 | 23.3 | | | | | | | | | | | | | 22.5 |
| VSU-L 07-M54J | 4 | M5 x 0.8 | 3 | 57.1 | 54.1 | 11.2 | 29.1 | 0.7 | 90 | 10 | 17 | | | | | | | | | 20 |
| VSU-L 07-M56J | 6 | | | 57.8 | 54.8 | 11.9 | 29.8 | | | | | | | | | | | | | 20 |
| VSU-L 07-6A4J | 4 | R1/8 | 8 | 61.1 | 57.1 | 11.2 | 29.1 | | | | | 0.7 | 90 | 10 | 17 | | | | | 23 |
| VSU-L 07-6A6J | 6 | | | 61.8 | 57.8 | 11.9 | 29.8 | | | | | | | | | | | | | 22.5 |
| VSU-E 07-M54J | 4 | M5 x 0.8 | 3 | 57.1 | 54.1 | 11.2 | 29.1 | | | | | | | | | 0.7 | 90 | 10 | 17 | 21.5 |
| VSU-E 07-M56J | 6 | | | 57.8 | 54.8 | 11.9 | 29.8 | | | | | | | | | | | | | 20.5 |
| VSU-E 07-6A4J | 4 | R1/8 | 8 | 61.1 | 57.1 | 11.2 | 29.1 | 0.7 | 90 | 10 | 17 | | | | | | | | | 23.5 |
| VSU-E 07-6A6J | 6 | | | 61.8 | 57.8 | 11.9 | 29.8 | | | | | | | | | | | | | 23 |

Note 1: L dimensions for tapered screws are reference dimensions applicable after screw tightening.
 Note 2: M5 screw's opposite hexagon side is knurled. H12 applies to 6A (R1/8) screw.

Dimensions

● VSU-*-*S (atmospheric release with elbow union, silencer)

Unit: mm



| Model no. | O.D. øD1 | O.D. øD2 | B | C1 | C2 | Nozzle diameter (mm) | Ultimate vacuum (-kPa) | Suction flow (l/min. (ANR)) | Air consumption (l/min. (ANR)) | Weight (g) | | | | | | | | | | | | | | |
|--------------|----------|----------|------|------|------|----------------------|------------------------|-----------------------------|--------------------------------|------------|----|------|------|----|------|----|------|----|------|------|------|------|----|------|
| VSU-H 05-44S | 4 | 4 | 49.9 | 11.2 | 11.2 | 0.5 | 90 | 7 | 11.5 | 18.5 | | | | | | | | | | | | | | |
| VSU-H 05-46S | | 6 | 50.9 | | 11.9 | | | | | | | | | | | | | | | | | | | |
| VSU-H 05-64S | 6 | 4 | 50.6 | 11.9 | 11.2 | | | | | 66 | 12 | 11.5 | 18 | | | | | | | | | | | |
| VSU-H 05-66S | | 6 | 51.6 | | 11.9 | | | | | | | | 17.5 | | | | | | | | | | | |
| VSU-H 07-44S | 4 | 4 | 56.7 | 11.2 | 11.2 | | | | | | | | 0.7 | 92 | 12.5 | 23 | 20 | | | | | | | |
| VSU-H 07-46S | | 6 | 57.4 | | 11.9 | | | | | | | | | | | | 19.5 | | | | | | | |
| VSU-H 07-64S | 6 | 4 | 57.4 | 11.9 | 11.2 | 90 | 10 | 17 | 19 | | | | | | | | | | | | | | | |
| VSU-H 07-66S | | 6 | 58.1 | | 11.9 | | | | 18.5 | | | | | | | | | | | | | | | |
| VSU-L 05-44S | 4 | 4 | 49.9 | 11.2 | 11.2 | | | | 0.5 | | | | | | | | 66 | 12 | 11.5 | 18.5 | | | | |
| VSU-L 05-46S | | 6 | 50.9 | | 11.9 | | | | | | | | | | | | | | | | 17.5 | | | |
| VSU-L 05-64S | 6 | 4 | 50.6 | 11.9 | 11.2 | | | | | | | | 0.7 | 92 | 12.5 | 23 | | | | 20 | | | | |
| VSU-L 05-66S | | 6 | 51.6 | | 11.9 | | | | | | | | | | | | | | | 19 | | | | |
| VSU-L 07-44S | 4 | 4 | 56.7 | 11.2 | 11.2 | | | | | | | | | | | | | | | 0.7 | 92 | 12.5 | 23 | 19 |
| VSU-L 07-46S | | 6 | 57.4 | | 11.9 | | | | | | | | | | | | | | | | | | | 18.5 |
| VSU-L 07-64S | 6 | 4 | 57.4 | 11.9 | 11.2 | | | | 90 | 10 | 17 | 18.5 | | | | | | | | | | | | |
| VSU-L 07-66S | | 6 | 58.1 | | 11.9 | | | | | | | 17.5 | | | | | | | | | | | | |
| VSU-E 07-44S | 4 | 4 | 56.7 | 11.2 | 11.2 | | | | | | | 0.7 | | | | | 90 | 10 | 17 | | | | | 20.5 |
| VSU-E 07-46S | | 6 | 57.4 | | 11.9 | | | | | | | | | | | | | | | | | | | 19.5 |
| VSU-E 07-64S | 6 | 4 | 57.4 | 11.9 | 11.2 | 90 | 10 | 17 | | | | | | | | | | | | 18.5 | | | | |
| VSU-E 07-66S | | 6 | 58.1 | | 11.9 | | | | | | | | | | | | | | | 19 | | | | |

Ejector system

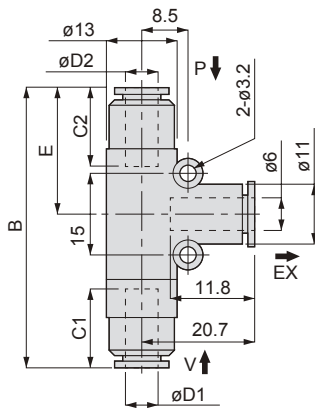
VSU

VSH-VSU
VSB-VSC

VSG

● VSU-*-*J (elbow union, common exhaust)

Unit: mm



| Model no. | O.D. øD1 | O.D. øD2 | B | C1 | C2 | E | Nozzle diameter (mm) | Ultimate vacuum (-kPa) | Suction flow (l/min. (ANR)) | Air consumption (l/min. (ANR)) | Weight (g) | | | | | | | | | | | | | | | |
|--------------|----------|----------|------|------|------|------|----------------------|------------------------|-----------------------------|--------------------------------|------------|----|------|----|------|----|------|----|------|----|------|------|----|------|----|----|
| VSU-H 05-44J | 4 | 4 | 49.9 | 11.2 | 11.2 | 22.3 | 0.5 | 90 | 7 | 11.5 | 21 | | | | | | | | | | | | | | | |
| VSU-H 05-46J | | 6 | 50.9 | | 23.3 | 20.5 | | | | | | | | | | | | | | | | | | | | |
| VSU-H 05-64J | 6 | 4 | 50.6 | 11.9 | 11.2 | 22.3 | | | | | 0.7 | 92 | 12.5 | 23 | 20 | | | | | | | | | | | |
| VSU-H 05-66J | | 6 | 51.6 | | 11.9 | 23.3 | | | | | | | | | 19.5 | | | | | | | | | | | |
| VSU-H 07-44J | 4 | 4 | 56.7 | 11.2 | 11.2 | 29.1 | | | | | | | | | 0.7 | 92 | 12.5 | 23 | 22.5 | | | | | | | |
| VSU-H 07-46J | | 6 | 57.4 | | 11.9 | 29.8 | | | | | | | | | | | | | 21.5 | | | | | | | |
| VSU-H 07-64J | 6 | 4 | 57.4 | 11.9 | 11.2 | 29.1 | 90 | 10 | 17 | 21.5 | | | | | | | | | | | | | | | | |
| VSU-H 07-66J | | 6 | 58.1 | | 11.9 | 29.8 | | | | 20.5 | | | | | | | | | | | | | | | | |
| VSU-L 05-44J | 4 | 4 | 49.9 | 11.2 | 11.2 | 22.3 | | | | 0.5 | | | | | | | | | 66 | 12 | 11.5 | 21 | | | | |
| VSU-L 05-46J | | 6 | 50.9 | | 23.3 | 20.5 | | | | | | | | | | | | | | | | | | | | |
| VSU-L 05-64J | 6 | 4 | 50.6 | 11.9 | 11.2 | 22.3 | | | | | | | | | 0.7 | 92 | 12.5 | 23 | | | | 20 | | | | |
| VSU-L 05-66J | | 6 | 51.6 | | 11.9 | 23.3 | | | | | | | | | | | | | | | | 19.5 | | | | |
| VSU-L 07-44J | 4 | 4 | 56.7 | 11.2 | 11.2 | 29.1 | | | | | | | | | | | | | | | | 0.7 | 92 | 12.5 | 23 | 22 |
| VSU-L 07-46J | | 6 | 57.4 | | 11.9 | 29.8 | | | | | | | | | | | | | | | | | | | | 22 |
| VSU-L 07-64J | 6 | 4 | 57.4 | 11.9 | 11.2 | 29.1 | | | | 90 | 10 | 17 | 21.5 | | | | | | | | | | | | | |
| VSU-L 07-66J | | 6 | 58.1 | | 11.9 | 29.8 | | | | | | | 20.5 | | | | | | | | | | | | | |
| VSU-E 07-44J | 4 | 4 | 56.7 | 11.2 | 11.2 | 29.1 | | | | | | | 0.7 | 90 | | | | | 10 | 17 | 22 | | | | | |
| VSU-E 07-46J | | 6 | 57.4 | | 11.9 | 29.8 | | | | | | | | | | | | | | | 21.5 | | | | | |
| VSU-E 07-64J | 6 | 4 | 57.4 | 11.9 | 11.2 | 29.1 | 90 | 10 | 17 | | | | | | | | | | | | 21.5 | | | | | |
| VSU-E 07-66J | | 6 | 58.1 | | 11.9 | 29.8 | | | | | | | | | | | | | | | 20.5 | | | | | |

VSK
VSKM

VSJ
VSJM

VSX
VSXM

VSQ

VSZM