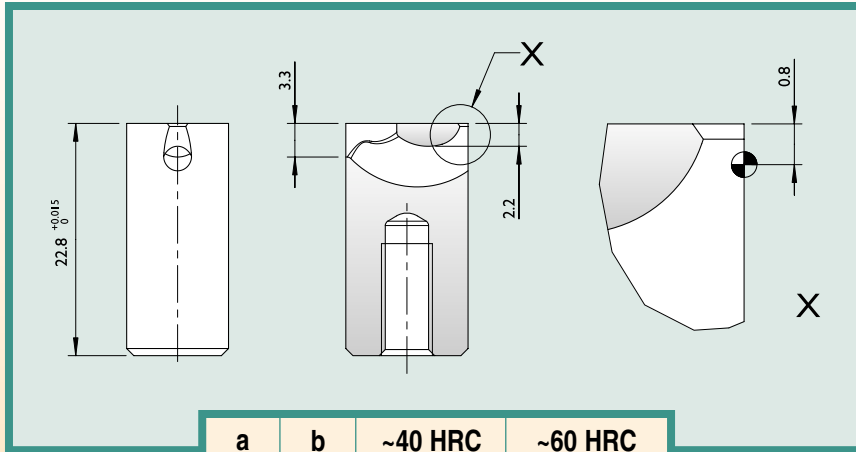




# Cashew Gate Inserts

12mm  
For shot weights up to 70g



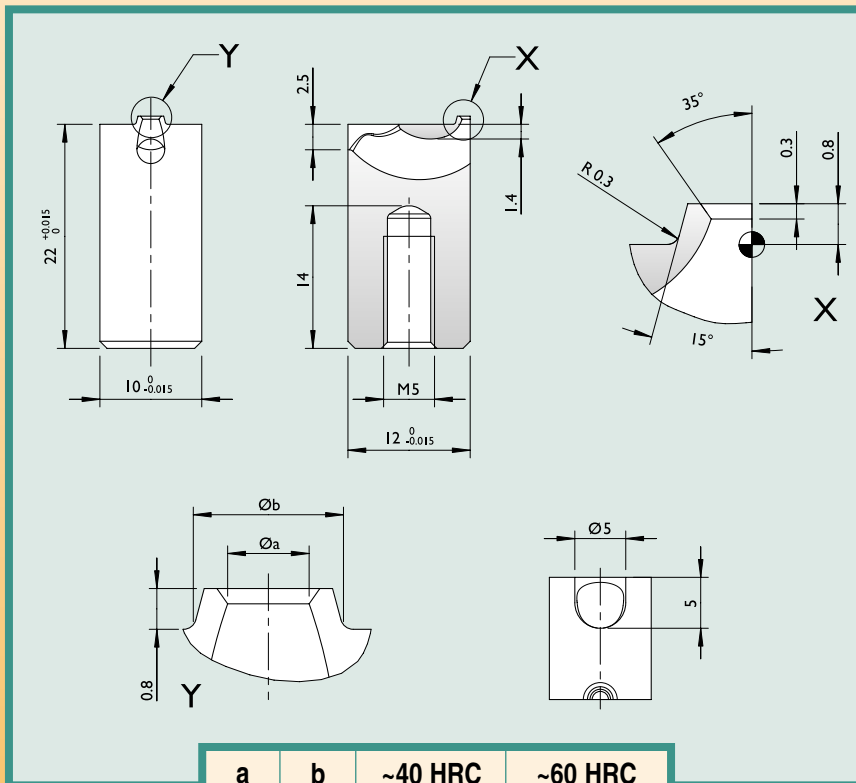
a	b	~40 HRC	~60 HRC
1,2	n/a	TGS12-12-S1-U	TGS12-12-S1-H
1,6	n/a	TGS12-16-S1-U	TGS12-16-S1-H
2,0	n/a	TGS12-20-S1-U	TGS12-20-S1-H

## S1 Series



Actual Size

- Manufactured with a flat gate point allowing minor contour machining at the gate point.



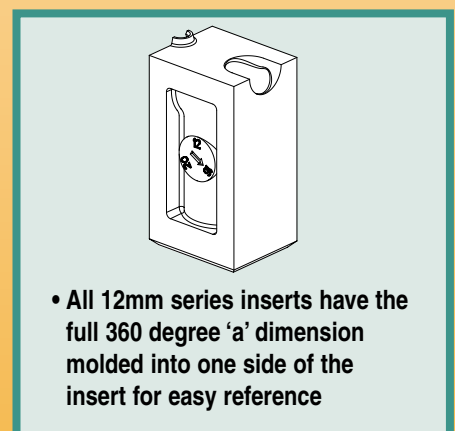
a	b	~40 HRC	~60 HRC
1,2	2,6	TGS12-12-S2-U	TGS12-12-S2-H
1,6	3,0	TGS12-16-S2-U	TGS12-16-S2-H
2,0	3,4	TGS12-20-S2-U	TGS12-20-S2-H

## S2 Series



Actual Size

- Manufactured with a raised lip 'X&Y' at the gate point creating a tear mark below the surface of the part.



- All 12mm series inserts have the full 360 degree 'a' dimension molded into one side of the insert for easy reference

CAD files available at:

