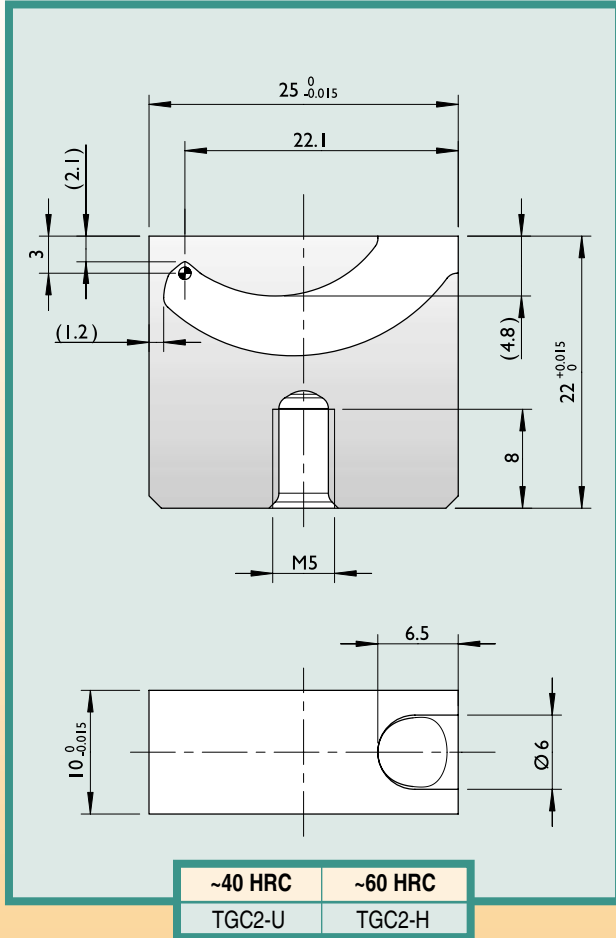




# Cashew Gate Inserts

## Contourable

### For shot weights up to 110g



Cutaway View



External View

## TGC2

- The maximum contour depth is 3mm.
- Up to 1,8mm gate point diameter.
- Available in two different hardnesses.

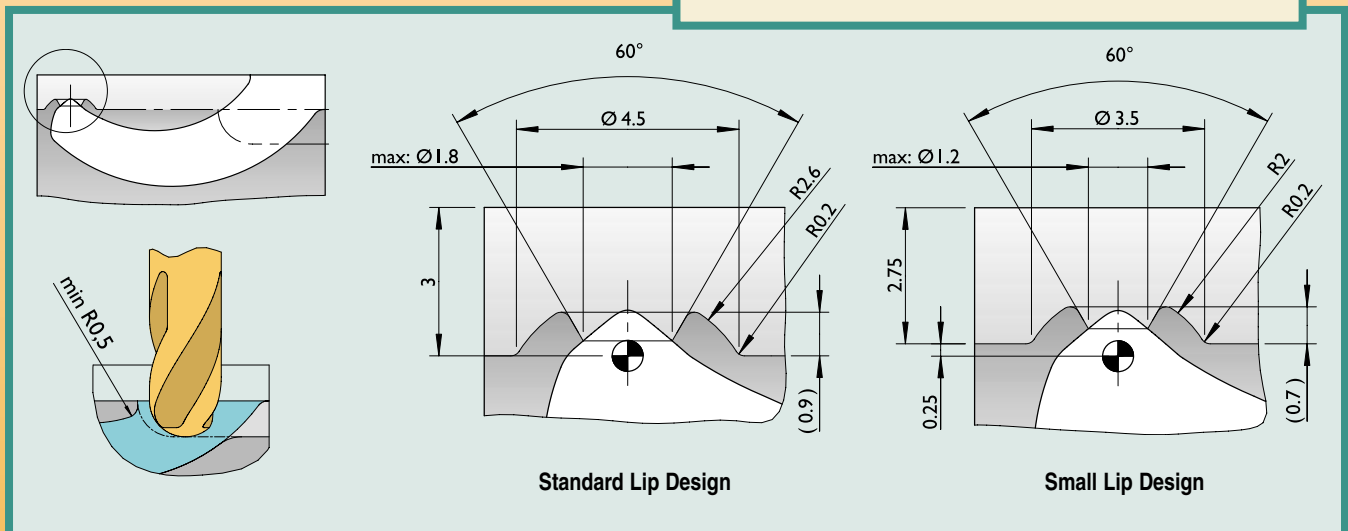
### Standard Lip Design

- The maximum contour depth is 3mm.
- Gate area can be up to 1,8mm.
- 3D CAD for lip design can be downloaded from the i-mold website.

### Small Lip Design

- The maximum contour depth is 2,75mm.
- Gate area can be up to 1,2mm.
- 3D CAD for lip design can be downloaded from the i-mold website.

**IMPORTANT:** Maintain a 0,25mm offset from the CAD reference point!



CAD files available at: