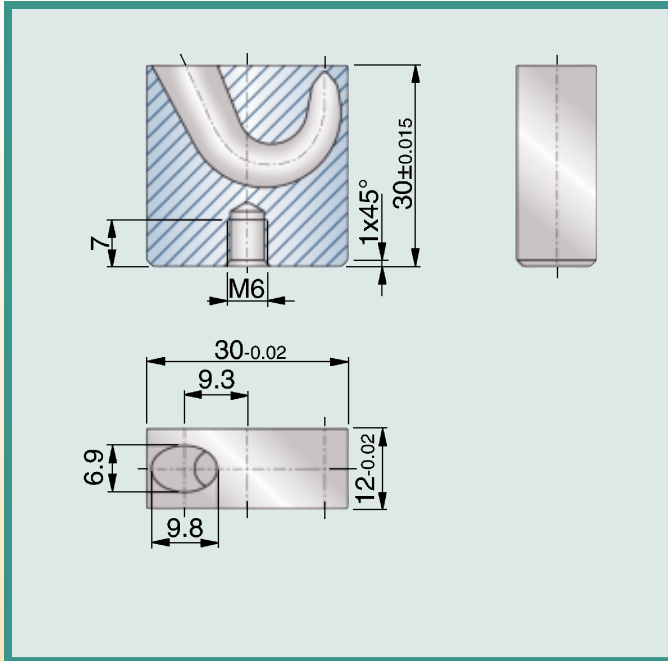


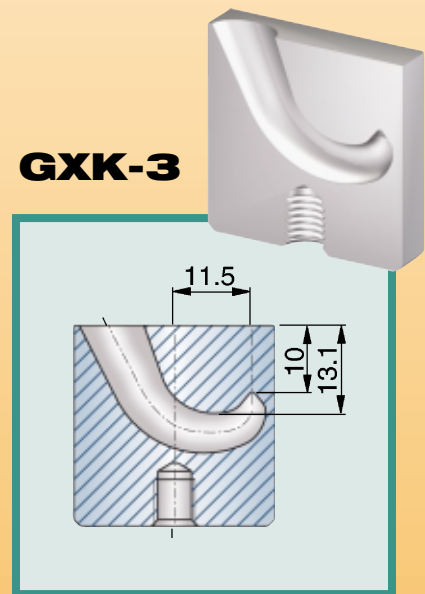
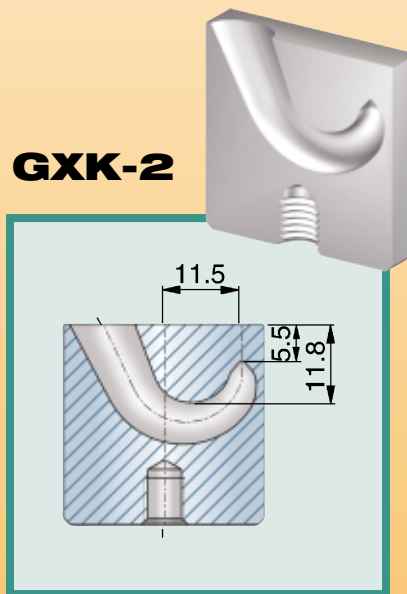
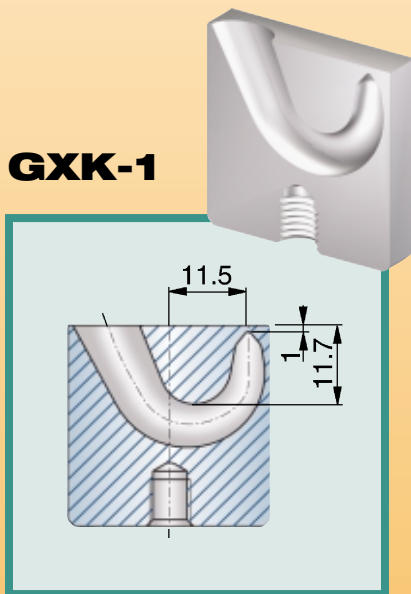


Cashew Gate Inserts

Maxiflow - GXK



For tunnel gating of medium-to-large components. Supports contouring to a depth of 11,5 mm. Suitable for gate diameters up to 3,5 mm and shot weights up to 1,200 g per insert. The Maxiflow range can be used to process all common plastics, including reinforced types.



CAD files available at:
www.exaflow.com

