

Floor Standing Enclosures

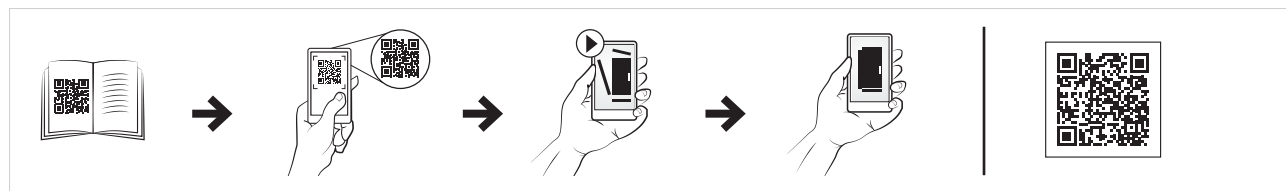
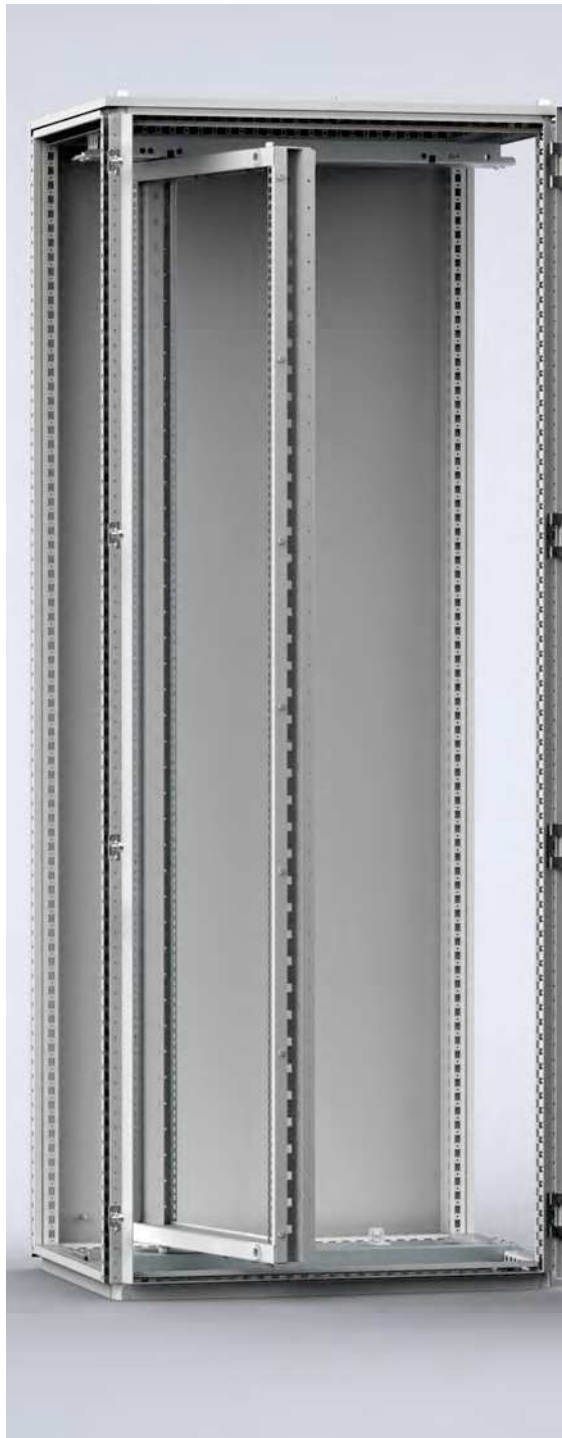
Steel Range

Accessories

Full Height Swing Frame, ESFC

- Description:** Full height swing frame for 19" components allowing left and right hand opening. Can be used in steel, combinable enclosures. Hinges designed to give extra build-in depth. Adjustable top hinge for square mounting of the swing frame. Rigid W-shaped frame profile for heavy equipment. Zinc plated 19" vertical profiles for direct earthing of the mounted components. Standard equipped with 130° hinges (180° hinges not applicable for 600 mm wide enclosures). Can also be mounted on the side of 600 mm deep floor standing enclosures. For steel, combinable enclosures use transversal support bars ESFB in combination with VBD if required. Adjustable in depth by steps of 12.5 mm.
- Maximum load:** 1800 N, supplied with a self positioning device.
- Lock:** Two 3 mm double-bit locks.
- Material:** 19" vertical profiles 2 mm zinc plated steel. Frame: vertical profiles 2 mm and horizontal profiles 3 mm.
- Pack quantity:** 1 swing frame with hinges.
- Mounting requirement:** ESFC for 600 mm, 800 mm, 1000 mm, 1200 mm wide steel, combinable enclosures. Add ESFB for mounting in a steel, combinable enclosure.

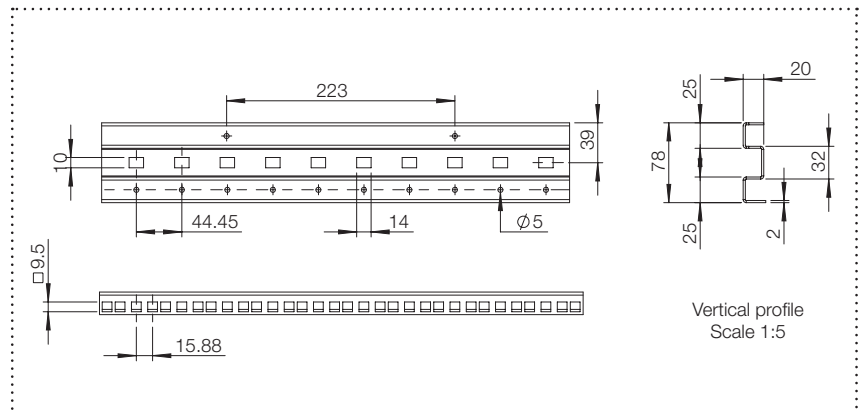
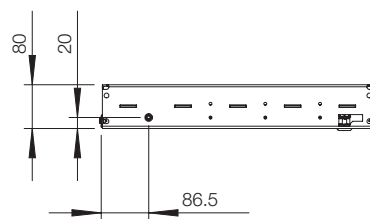
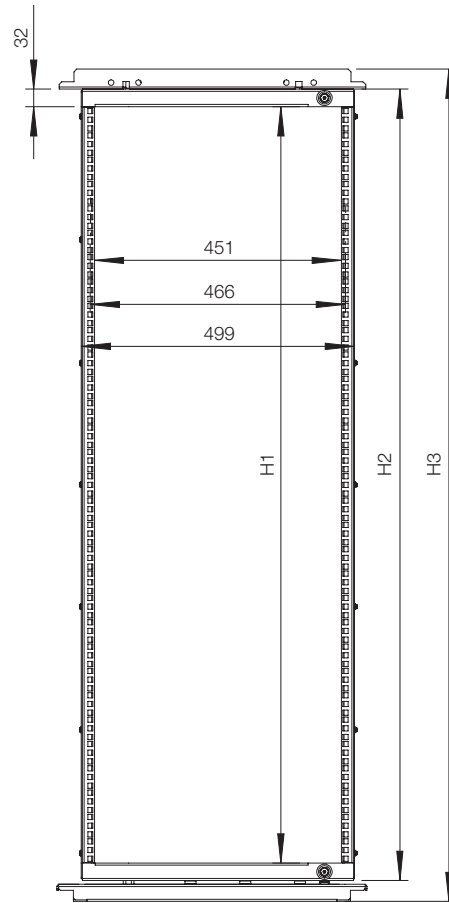
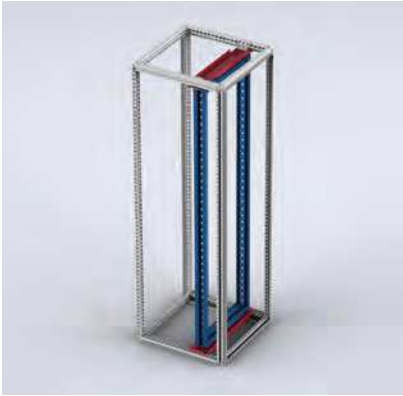
For enclosure					
H	U	H1	H2	H3	Item no.
1400	27	1203	1267	1337	ESFC276
1600	31	1381	1445	1515	ESFC316
1800	36	1603	1667	1737	ESFC366
2000	40	1781	1845	1915	ESFC406
2200	45	2003	2067	2137	ESFC456



01

Floor Standing Enclosures

1



■ Swing frame

■ Support bars 600 wide

■ Support bars 800/1000 wide

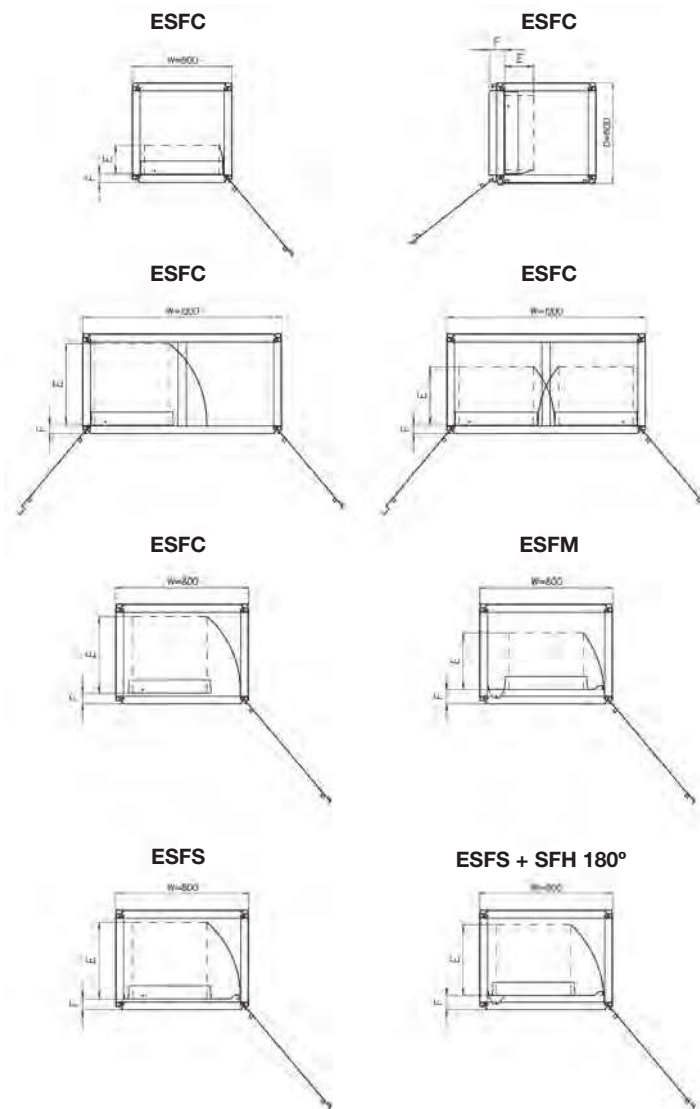
■ Support bars 1200 wide

■ Depth dividing bar

Floor Standing Enclosures

Steel Range

Accessories



Maximum build-in depth - E

Depth	ESFC	ESFC in 800W	1xESFC in 1200W	2xESFC in 1200W	ESFS	ESFS+SFH 180	ESFM
400	175	280	295	295	280	260	260
500	175	380	395	355	380	360	345
600	175	465	495	355	465	430	345
800	175	465	395	355	465	430	345
F	51	51	51	51	65	86	86

ESFC can also be mounted inside of a 600 deep enclosure in combination with a side door (DS).
Maximum build-in depth - E E=175, F=96.

Maximum opening angle

Item No	Opening angle degrees icw.	Opening angle degrees icw.
ESFC	125	125
ESFC interior	120	120
ESFM + ESFH	120	155
ESFS interior	120	130
ESFS + SFH	180	155

Maximum support per hinge type

Item No	Opening angle degrees icw.	Max. loading
ESFC	125	150
ESFC	120	150
ESFM + ESFH	180	120
ESFS + ESFH 180°	180	120
ESFS + SFH	180	120

Partial height,
Top mounting

Partial height,
Middle mounting

Partial height,
Bottom mounting

ESFC
Width: 600 mm



ESFC
Width: 800-1000 mm



ESFC
Width: 1200 mm



ESFM / ESFS
Width: 800-1000 mm



■ Swing frame

■ Support bars 600 wide

■ Support bars 800/1000 wide

■ Support bars 1200 wide

■ Mounting profile