

**Floor Standing Enclosures**  
**Steel Range | Mild Steel**  
**ICT Rack | MCI**

**IP 56 | TYPE 4, 12, 13 | IK 10**



**Material:**

Frame: 1.5 mm steel plate. Door: 2 mm steel plate. Roof plate: 1.5 mm steel plate. Bottom plates: 1 mm galvanized steel. 19" profiles: 2 mm zinc plated steel.

**Frame:**

Seam welded reversed open profiles with 25 mm hole pattern according to DIN 43660. Including integrated external hole pattern.

**Rear door:**

Mounted with hinges allowing left or right hand opening. Including door frame with 25 mm hole pattern.

**Side panels:**

Supplied as an accessory.

**Roof panel:**

Removable.

**Lock:**

Espagnolette 4-point locking system. Standard double-bit lock with 3 mm insert. Standard inserts, cylinders, lift handles and T-handles are available as accessories.

**Bottom plates:**

Consists of three or four (D>600) pieces.

**19" profiles:**

Provides front and side universal 19" hole pattern. Adjustable in depth by stops of 25 mm. 19" profiles: zinc plated steel.

**Earthing:**

All panels are earthed through their fittings and are equipped with a separate earthing stud.

**Finish:**

Frame, rear door and roof plate: RAL 7035 structured powder coating. 19" profiles: zinc plated steel.

**Protection:**

Complies with IP 56 | TYPE 4, 12, 13 | IK 10 when plain front door and side panels are fitted. IK 10.

**Approvals:**

CE, CSA, EAC, GOST, Kema Keur, Lloyds shipping, cULus\_listed.

**Mounting requirement:**

Add side panels for closed sides. Front frame can be covered with FFC or fitted with a glazed or plain door.

**Delivery:**

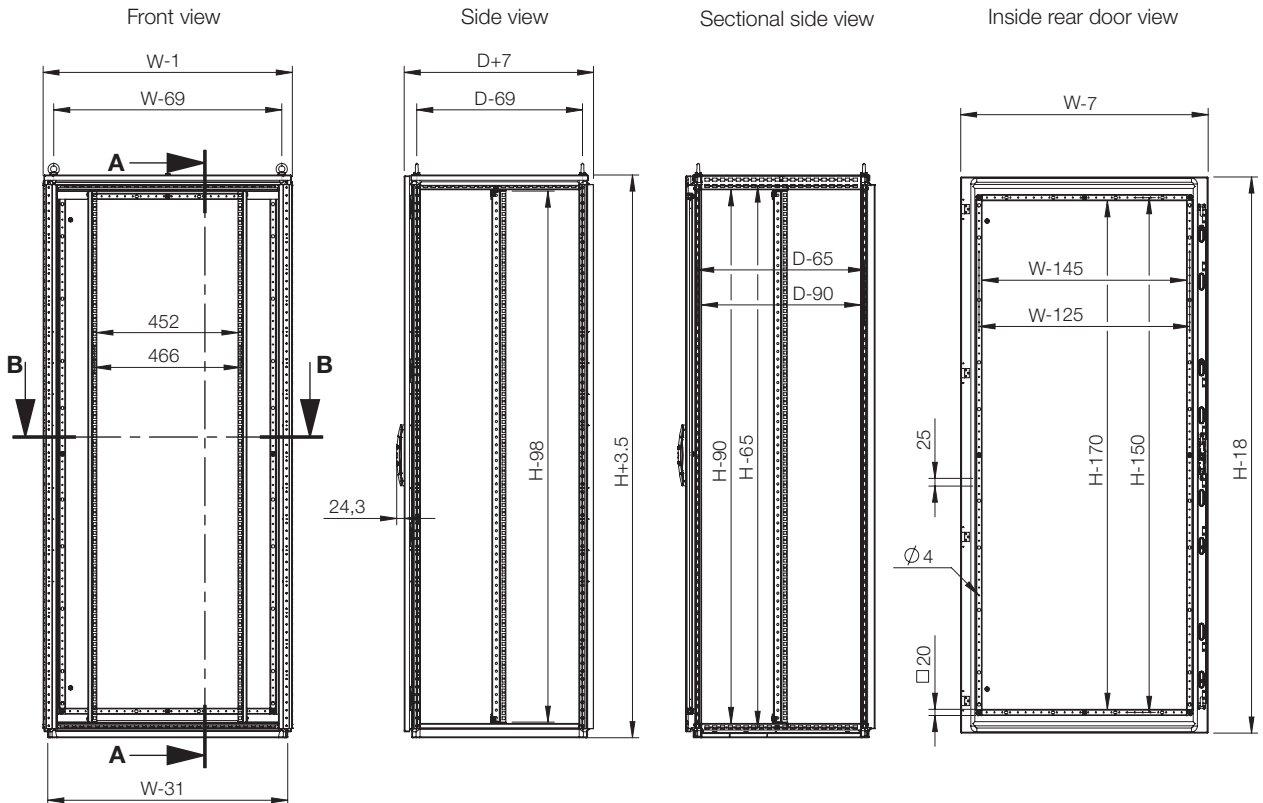
Frame with fitted rear door, roof panel, bottom plates. 19" profiles at front and fixing brackets CIB. Delivery also includes earthing bolts. Delivered on a pallet which is identical to the width of the enclosure to allow suiting without removal. All packing material is recyclable.



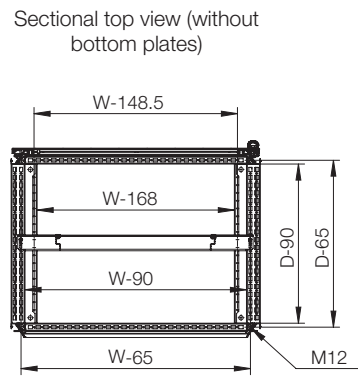
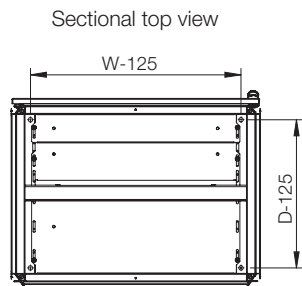
## Dimensional table | MCI

### IP 56 | TYPE 4, 12, 13 | IK 10

Enclosure dimensions			Height U	Item no.
H	W	D		
1100	600	600	22	MCI11066R5
1400	800	600	29	MCI14086R5
1600	600	600	33	MCI16066R5
1800	600	600	38	MCI18066R5
1800	600	800	38	MCI18068R5
1800	800	600	38	MCI18086R5
2000	600	600	42	MCI20066R5
2000	600	800	42	MCI20068R5
2000	800	600	42	MCI20086R5
2000	800	800	42	MCI20088R5
2200	600	600	47	MCI22066R5
2200	600	800	47	MCI22068R5
2200	800	600	47	MCI22086R5
2200	800	800	47	MCI22088R5



SECTION A-A



SECTION B-B

