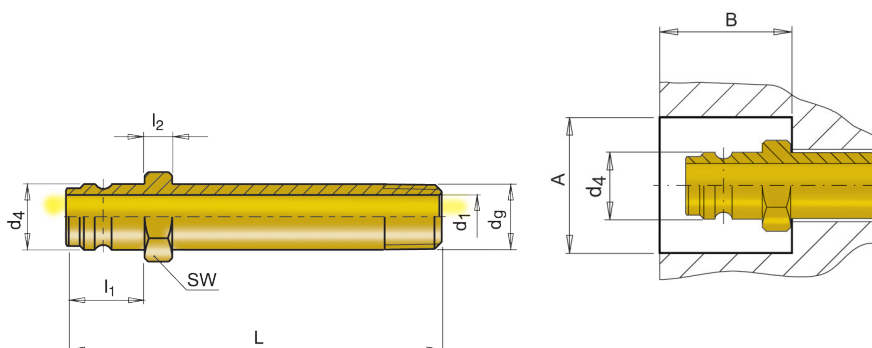


Końcówka złącza wydłużona

Extended hose fitting

CH13



NR KAT.	dg	d1	d4	SW	l1	l2	L	A	B
CH13-9-8-60	M8x0,75	5					60	21	
CH13-9-8-100							100		
CH13-9-8-150							150		
CH13-9-10-60	M10x1			11			60	21	
CH13-9-10-100							100		
CH13-9-10-150							150		
CH13-9-10*1,5-60	M10x1,5						60	21	
CH13-9-10*1,5-100							100		
CH13-9-10*1,5-150							150		
CH13-9-1/8-60	G1/8"		9				60	21	
CH13-9-1/8-100							100		
CH13-9-1/8-150							150		
CH13-9-1/4-60	G 1/4"			14	14	6	60	24	23
CH13-9-1/4-100							100		
CH13-9-1/4-150							150		
CH13-9-14-60	M14x1,5	6					60	24	23
CH13-9-14-100							100		
CH13-9-14-150							150		
CH13-9-3/8-60	G 3/8"			17			60	21	
CH13-9-3/8-100							100		
CH13-9-3/8-150							150		
CH13-13-1/8-60	G 1/8"						60	27	
CH13-13-1/8-100							100		
CH13-13-1/8-150							150		
CH13-13-10-60	M10x1		13	14			60	27	
CH13-13-10-100							100		
CH13-13-10-150							150		
CH13-13-10*1,5-60	M10x1,5						60	27	
CH13-13-10*1,5-100							100		
CH13-13-10*1,5-150							150		

Końcówka złącza wydłużona

Extended hose fitting

CH13

NR KAT.	dg	d ₁	d ₄	SW	l ₁	l ₂	L	A	B
CH13-13-12-60	M12x1,5	6					60		
CH13-13-12-100							100		
CH13-13-12-150							150		
CH13-13-1/4-60	G 1/4"			14			60		
CH13-13-1/4-100							100		
CH13-13-1/4-150							150		
CH13-13-14-60	M14x1,5		13		14	6	60	27	23
CH13-13-14-100							100		
CH13-13-14-150							150		
CH13-13-16-60	M16x1,5	9					60		
CH13-13-16-100							100		
CH13-13-16-150							150		
CH13-13-3/8-60	G 3/8"			17			60		
CH13-13-3/8-100							100		
CH13-13-3/8-150							150		
CH13-13-1/2-60	G 1/2"						60	32	24
CH13-13-1/2-100							100		
CH13-13-1/2-150							150		
CH13-19-1/2-60	G 1/2"						60	34	
CH13-19-1/2-100							100		
CH13-19-1/2-150							150		
CH13-19-24-60	M24x1,5	13	19		27	8	60	40	38
CH13-19-24-100							100		
CH13-19-24-150							150		
CH13-19-3/4-60	G 3/4"			27			60		
CH13-19-3/4-100							100		
CH13-19-3/4-150							150		