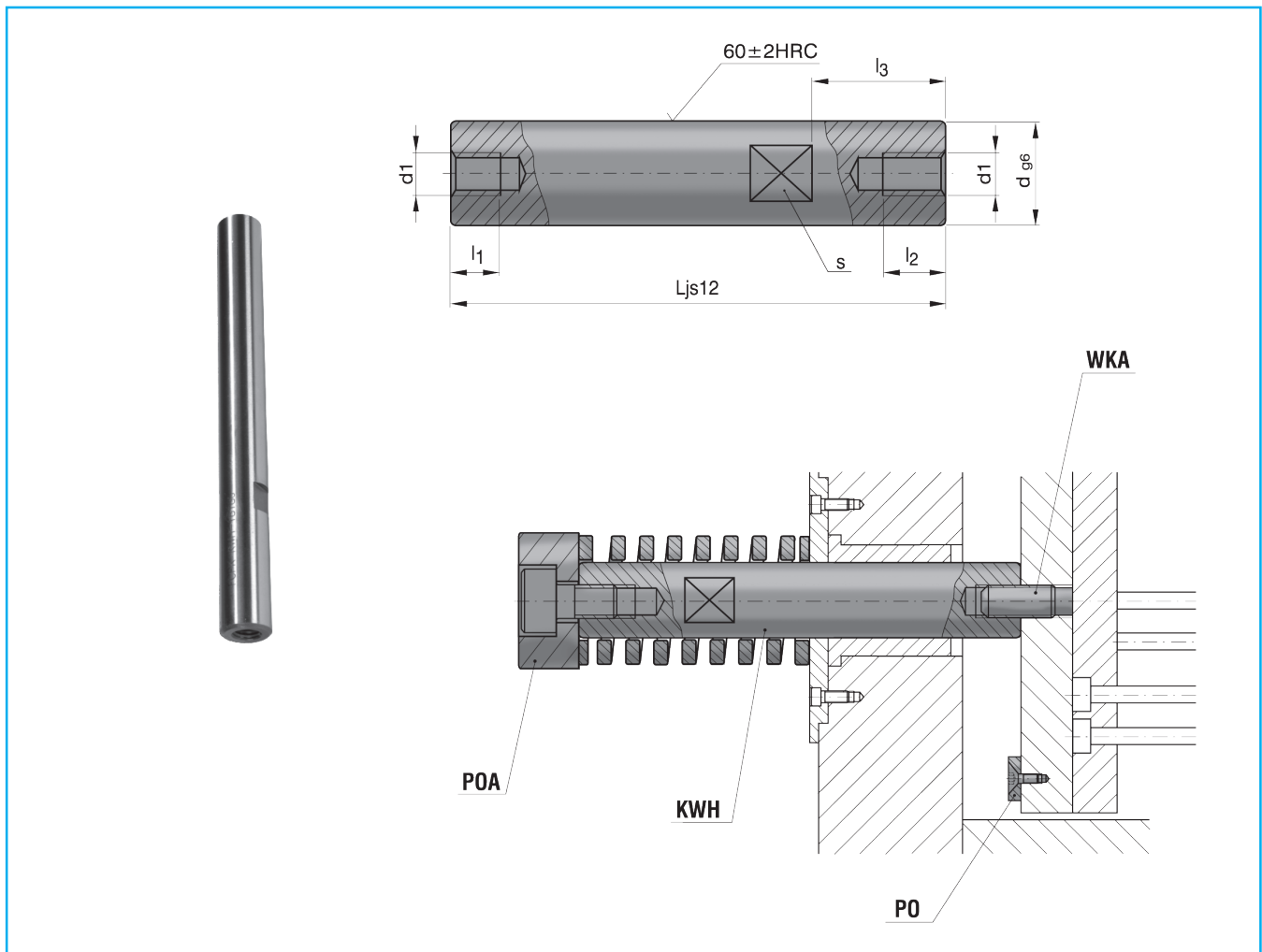


Sworzeń płyty wypychaczy

Ejector rod

KWH



d	d1	s	l1	l2	l3	L	NR KAT.
10	M6	9	9	16	20	60	KWH-10060
						70	KWH-10070
						80	KWH-10080
						100	KWH-10100
						120	KWH-10120
						140	KWH-10140
14	M8	12	11	16	25	60	KWH-14060
						70	KWH-14070
						80	KWH-14080
						100	KWH-14100
						120	KWH-14120
						140	KWH-14140
18	M10	14	12	20	45	160	KWH-14160
						180	KWH-14180
						100	KWH-18100
						120	KWH-18120
						140	KWH-18140
						160	KWH-18160
						180	KWH-18180
						200	KWH-18200
220	KWH-18220						
						240	KWH-18240

Sworzeń płyty wypychaczy

Ejector rod

KWH

d	d1	s	l1	l2	l3	L	NR KAT.
20	M12	16	14	25	45	100	KWH-20100
						120	KWH-20120
						140	KWH-20140
						160	KWH-20160
						180	KWH-20180
						200	KWH-20200
						220	KWH-20220
24	M12	19	14	25	50	240	KWH-20240
						120	KWH-24120
						140	KWH-24140
						160	KWH-24160
						180	KWH-24180
30	M16	24	16	30	56	200	KWH-24200
						240	KWH-24240
						180	KWH-30180
						220	KWH-30220
						260	KWH-30260
						300	KWH-30300