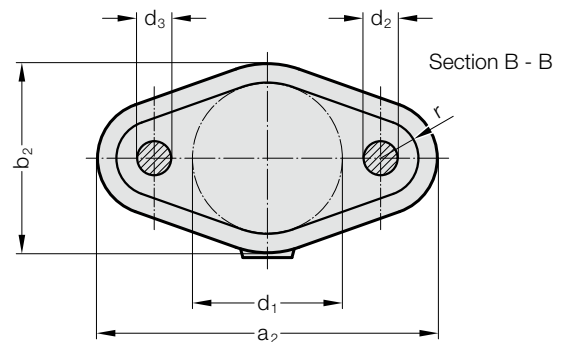
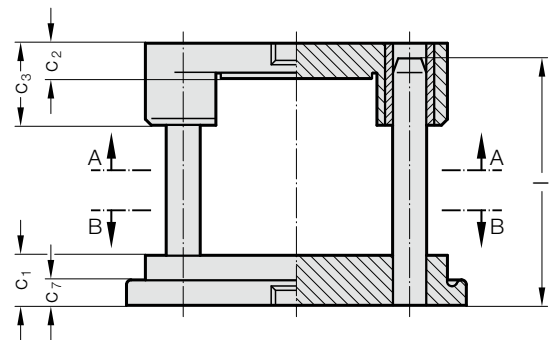
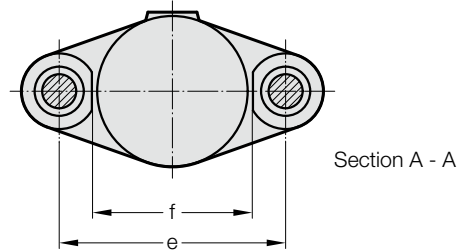


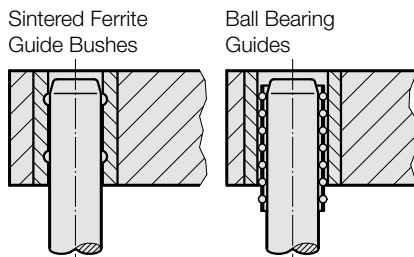
# DIE SET DIN 9812 TYPE D/DG



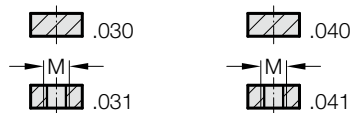
201.01.



## Guide Elements



Order No (part 2)  
Available without or  
with shank thread  
in top bolster



## 201.01. Die set DIN 9812 Type D/DG

Order No part 1*	Work area													
	d <sub>1</sub>	a <sub>2</sub>	b <sub>2</sub>	c <sub>1</sub>	c <sub>2</sub>	c <sub>3</sub>	c <sub>7</sub>	d <sub>2</sub>	d <sub>3</sub>	e	f	l	r	M
201.01.063.□□□.□□	63	182	100	40	25	60	20	16	15	106	73	140 - 355	20	16x1,5
201.01.080.□□□.□□	80	236	120	50	30	80	30	20	19	140	90	160 - 400	28	20x1,5
201.01.100.□□□.□□	100	275	140	50	30	80	30	25	24	165	110	160 - 500	35	20x1,5
201.01.125.□□□.□□	125	300	165	50	30	80	30	25	24	190	139	160 - 500	35	20x1,5
201.01.160.□□□.□□	160	360	200	56	40	90	30	32	30	240	174	180 - 500	40	24x1,5
201.01.180.□□□.□□	180	380	220	56	40	90	30	32	30	260	194	180 - 500	40	24x1,5
201.01.200.□□□.□□	200	400	240	56	40	90	30	32	30	280	218	180 - 500	40	24x1,5
201.01.250.□□□.□□	250	496	300	56	50	100	30	40	38	350	268	200 - 800	48	30x2
201.01.315.□□□.□□	315	563	365	63	50	100	30	40	38	417	333	224 - 800	48	30x2

\*Order number part 2 = add guide type and guide pillar type/length  
 Order example, see beginning of chapter A cast pillar frames