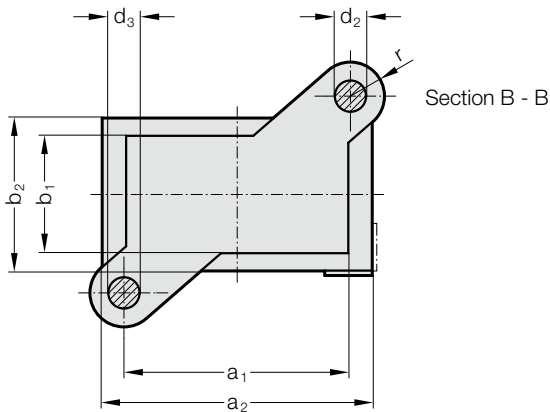
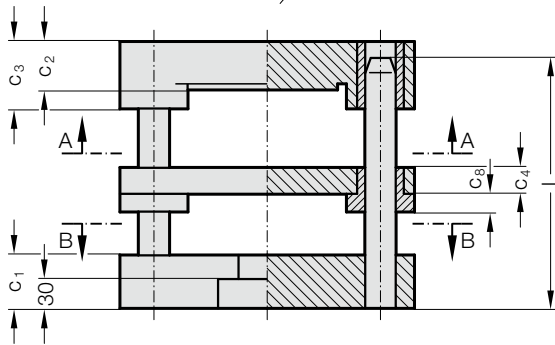
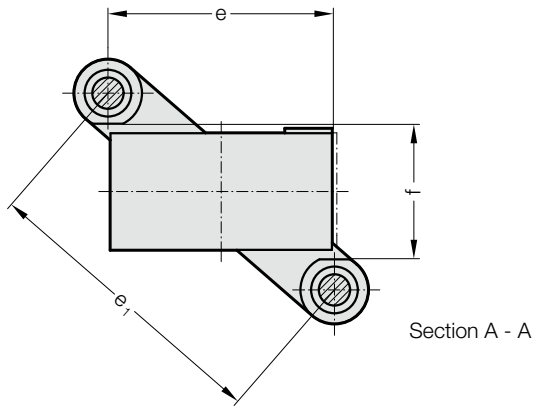
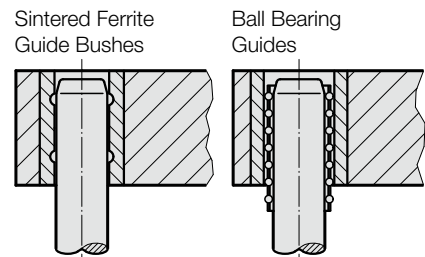


DIE SET

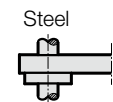
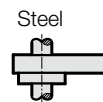
201.23.



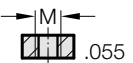
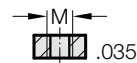
Guide Elements



Stripper




Order No (part 2)
Available without or
with shank thread
in top bolster



201.23. Die set

Order No part 1*	Work area															
	a ₁ x b ₁	a ₂	b ₂	C ₁	C ₂	C ₃	C ₄	C ₈	d ₂	d ₃	e	e ₁	f	l	r	M
201.23.100.080.□□□□□□	100 x 80	140	120	50	30	50	22	15	25	24	100	175	98	160 - 500	30	20x1.5
201.23.125.100.□□□□□□	125 x 100	165	140	50	40	60	22	15	25	24	125	206	118	160 - 500	30	24x1.5
201.23.160.100.□□□□□□	160 x 100	200	140	50	40	60	22	15	25	24	160	229	118	160 - 500	30	24x1.5
201.23.160.125.□□□□□□	160 x 125	200	165	56	40	60	27	15	32	30	160	259	148	180 - 500	37	24x1.5
201.23.200.125.□□□□□□	200 x 125	240	165	56	40	60	27	15	32	30	200	286	148	180 - 500	37	24x1.5
201.23.250.160.□□□□□□	250 x 160	290	200	56	50	70	27	15	32	30	250	346	184	200 - 500	37	30x2

*Order number part 2 = add guide type and guide pillar type/length
 Order example, see beginning of chapter A cast pillar frames