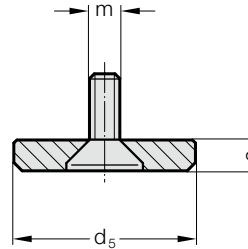


# RETAINING DISC WITH SCREW RETAINER RING FOR GUIDE PILLARS WITH COLLAR



2021.43.



**Material:**

Retaining disc: Steel, burnished  
Countersunk head cap screw DIN 7991/ISO 10642

**Note:**

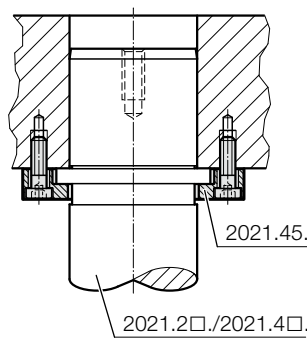
For fixing the guide pillars 2021.28., 2021.29., 2021.44. und 2021.46.  
📄 Assembly guide lines / Dimensional requirements and tolerances at the end of chapter D.

2021.43. Retaining disc with screw

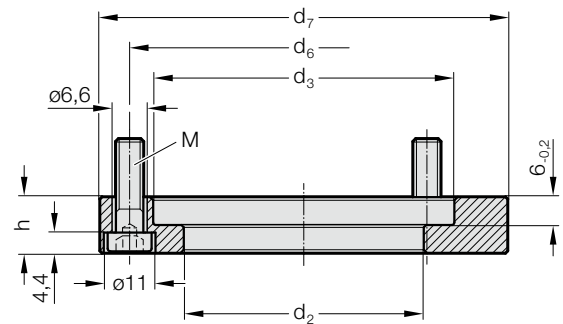
Order No	Nominal-ø	Pillar-ø	d <sub>5</sub>	s	m
2021.43.016	16	15/16	22	6	8
2021.43.020	20	19/20	25	6	8
2021.43.025	25	24/25	32	6	8
2021.43.032	32	30/32	40	6	8
2021.43.040	40	38/40	50	6	8
2021.43.050	50	48/50	60	6	8
2021.43.063	63	60/63	70	6	8
2021.43.080	80	80	93	12	12



Mounting example



2021.45.



**Material:**

Steel, burnished

**Note:**

The retainer ring is used to attach guide pillars with collar (2021.28., 2021.29., 2021.44., 2021.46.).  
The attachment is done using head cap screws according to DIN 6912-10.9, which are included in the delivery.  
Same attachment position as for the standard screw clamps 207.45!

2021.45. Retainer ring for guide pillars with collar

Order No	Nominal-ø	Pillar-ø	d <sub>2</sub>	d <sub>3</sub>	d <sub>6</sub>	d <sub>7</sub>	h	M	Quantity Screws
2021.45.016	16	15/16	17	23	33	45.7	12	M6x20	3
2021.45.020	20	19/20	21	26	36	48.7	12	M6x20	3
2021.45.025	25	24/25	26	33	43	55.7	12	M6x20	3
2021.45.032	32	30/32	33	41	51	63.7	12	M6x20	3
2021.45.040	40	38/40	41	51	61	73.7	12	M6x20	4
2021.45.050	50	48/50	51	64	74	86.7	12	M6x20	4
2021.45.063	63	60/63	64	81	91	103.7	12	M6x20	4
2021.45.080	80	80	81	96	106	118.7	18	M6x25	4