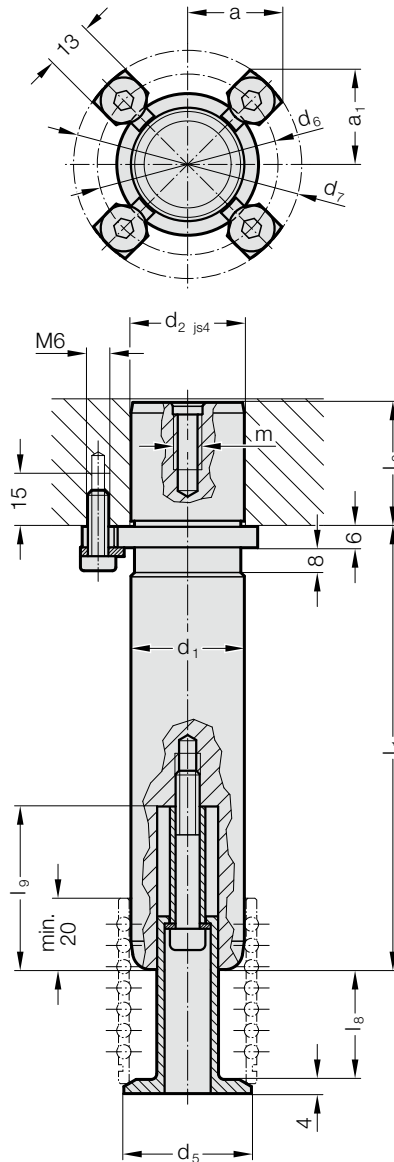


# GUIDE PILLAR WITH COLLAR AND BALL CAGE RETAINER



2021.44.



## Description:

Demountable pillars with shoulder are suited to applications where die sharpening requires dismantling and re-fitting.

## Material:

Steel, (Core strength:  $\geq 900 \text{ N/mm}^2$ ) surface hardened

Surface hardness:  $60 + 3 \text{ HRC}$ , Hardness penetration  $\geq 1,8 \text{ mm}$

## Execution:

fine precision ground

## Note:

The attachment is with 3 Screw clamp, from  $\varnothing d_1 = 38$  with 4 Screw clamp, which are included in delivery (Order No: 207.45 - Screw clamp incl. socket cap screw DIN 6912, M6x20, Head  $\varnothing 13$ ).

Optionally, it is also possible to fix it with a central screw connection 2021.43. or supporting ring 2021.45. (order separately).

Preloading see pairing classification at the beginning of chapter D

Matching guide combinations, see selection matrix at the beginning of chapter D.

Assembly guide lines / Dimensional requirements and tolerances at the end of chapter D.

Dimensions of ball cage retainer see 202.91.

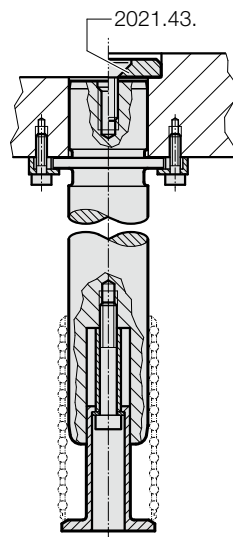
Tolerance range:

yellow = .10

green = .20

red = .30

## Mounting example



## GUIDE PILLAR WITH COLLAR AND BALL CAGE RETAINER

### 2021.44. Guide pillar with collar and ball cage retainer

d <sub>1</sub>	38	40	48	50	60	63
d <sub>2</sub>	38	40	48	50	60	63
d <sub>3</sub>	50	50	63	63	80	80
d <sub>5</sub>	42	44	52	54	64	67
d <sub>6</sub>	61	61	74	74	91	91
d <sub>7</sub>	73.7	73.7	86.7	86.7	103.7	103.7
a	29.2	29.2	33.8	33.8	39.8	39.8
a <sub>1</sub>	29.2	29.2	33.8	33.8	39.8	39.8
m	M8	M8	M8	M8	M8	M8
l <sub>2</sub>	37	37	47	47	47	47
KG (l <sub>g</sub> / l <sub>g</sub> )						
1 (31 / 46)	●	●	●	●	●	●
2 (41 / 56)	●	●	●	●	●	●
3 (51 / 66)	●	●	●	●	●	●
4 (61 / 76)	●	●	●	●	●	●
5 (73 / 89)	●	●	●	●	●	●
l <sub>1</sub>						
125	●	●				
140	●	●	●	●		
160	●	●	●	●	●	●
180	●	●	●	●	●	●
200	●	●	●	●	●	●
224	●	●	●	●	●	●
250	●	●	●	●	●	●
280	●	●	●	●	●	●
315	●	●	●	●	●	●
355	●	●	●	●	●	●
400			●	●	●	●

### Ordering Code (example):

Guide pillar with collar and ball cage retainer		=	2021.44.
Diameter of conduit d <sub>1</sub>	48 mm	=	048.
Length l <sub>1</sub>	400 mm	=	400.
Cage unit size KG	1	=	1.
Classification TOL	yellow	=	10
Order No		=	2021.44. 048. 400. 1. 10