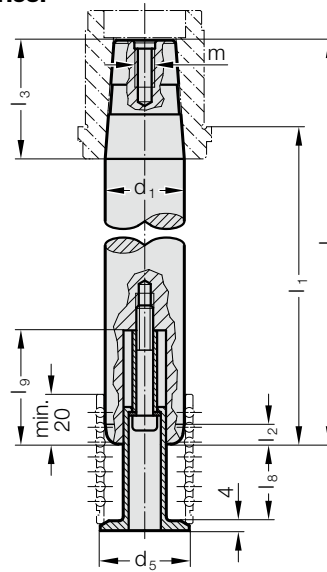


DEMOUNTABLE GUIDE PILLAR, CONICAL, WITH BALL CAGE RETAINER, DIN 9825/ISO 9182-4/AFNOR



2021.58.



Description:

FIBRO demountable pillars with conical shaft 2021.58. are recommended where die sharpening etc. demands frequent demounting and re-fitting.

Material:

Steel, (Core strength: $\geq 900 \text{ N/mm}^2$) surface hardened

Surface hardness: $60 + 3 \text{ HRC}$, Hardness penetration $\geq 1,8 \text{ mm}$

Execution:

fine-ground and superfinished

Note:

Matching retaining bushes 2021.39./210.39. and retaining discs 2021.53./202.53. to be ordered separately.

Preloading see pairing classification at the beginning of chapter D

Matching guide combinations, see selection matrix at the beginning of chapter D.

Dimensions of ball cage retainer see 202.91.

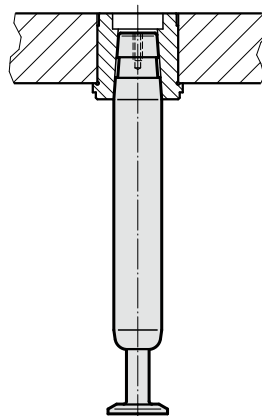
Tolerance range:

yellow = .10

green = .20

red = .30

Mounting example



DEMOUNTABLE GUIDE PILLAR, CONICAL, WITH BALL CAGE RETAINER, DIN 9825/ISO 9182-4/AFNOR

2021.58. Demountable guide pillar, conical, with ball cage retainer, DIN 9825/ISO 9182-4/AFNOR

d ₁	38	40	40	48	50	50	60	63	63	63
d ₅	42	44	44	52	54	54	64	67	67	67
m	8	8	8	10	10	10	12	12	12	12
l ₃	48	48	61	58	58	78	69	69	77	97
KG (l ₈ / l ₉)										
1 (31 / 46)	●	●	●	●	●	●	●	●	●	●
2 (41 / 56)	●	●	●	●	●	●	●	●	●	●
3 (51 / 66)	●	●	●	●	●	●	●	●	●	●
4 (61 / 76)	●	●	●	●	●	●	●	●	●	●
5 (73 / 89)	●	●	●	●	●	●	●	●	●	●
l ₁	1									
125	158	158								
140	173	173		180	180					
160	193	193	206	200	200		211	211		
180	213	213	226	220	220		231	231	237	
200	233	233		240	240	260	251	251	257	
224	257	257	270	264	264		275	275		
250	283	283	296	290	290	310	301	301	307	327
280	313	313		320	320	340	331	331	337	
315	348	348		355	355	375	366	366	372	392
355				395	395		406	406		432
400										477

Ordering Code (example):

Demountable guide pillar, conical, with ball cage retainer,
DIN 9825/ISO 9182-4/AFNOR

					= 2021.58.
Diameter of conduit d ₁	50 mm	=	050.		
Guide length l ₁	200 mm	=	200.		
Cone length l ₃	58 mm	=	058.		
Cage unit size KG	1	=	1		
Classification TOL	yellow	=	1		
Order No		=	2021.58. 050. 200. 058. 1 1		