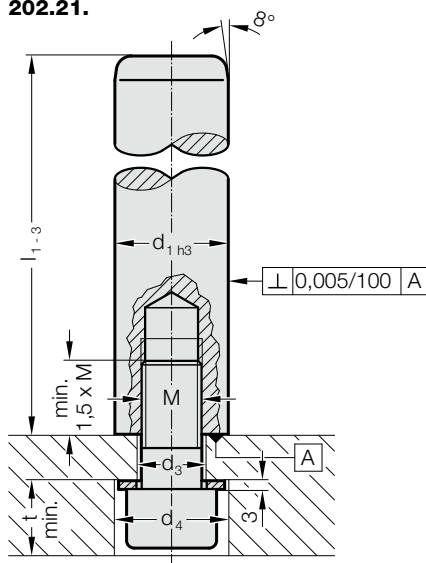
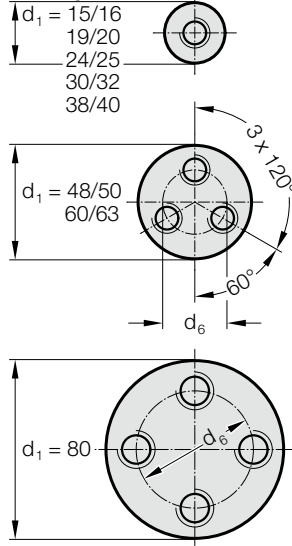


GUIDE PILLAR ENDWISE BOLT-ON TYPE, ~DIN 9825/~ISO 9182-2

202.21.



Hole pattern for column (pillar) fastening



Material:

Steel, (Core strength: $\geq 900 \text{ N/mm}^2$) surface hardened
Surface hardness: $60 + 3 \text{ HRC}$, Hardness penetration $\geq 1,8 \text{ mm}$

Execution:

fine precision ground
End face square within 0.005 mm in 100 mm

Note:

Bearing clearance / Preloading see pairing classification at the beginning of chapter D.

Matching guide combinations, see selection matrix at the beginning of chapter D.

Tolerance range:
yellow = .10
green = .20
red = .30

202.21. Guide pillar endwise bolt-on type, ~DIN 9825/~ISO 9182-2

d_1	15 16	19 20	24 25	30 32	38 40	48 50	60 63	80
d_3	9	11	14	18	18	14	18	18
d_4	17	20	22	28	28	22	28	28
d_6	-	-	-	-	-	28	34	54
t	12	14	16	20.5	20.5	16	20.5	20.5
M	8	10	12	16	16	12	16	16
Screw	M8x35	M10x40	M12x40	M16x40	M16x40	M12x50	M16x60	M16x60
Tightening torque [Nm]	21	37	85	150	150	85	200	200
l_1								
90	●							
100	●	●						
112	●	●	●					
125	●	●	●	●				
140	●	●	●	●				
160	●	●	●	●	●			
180	●	●	●	●	●	●		
200	●	●	●	●	●	●		
224	●	●	●	●	●	●		
250	●	●	●	●	●	●	●	
280	●	●	●	●	●	●	●	●
315	●	●	●	●	●	●	●	●
355	●	●	●	●	●	●	●	●
400		●	●	●	●	●	●	●
450			●	●	●	●	●	●
500			●	●	●	●	●	●
550				●	●	●	●	●
600					●	●	●	●
700					●	●	●	●
800					●	●	●	●

Ordering Code (example):

Guide pillar endwise bolt-on type, ~DIN 9825/~ISO 9182-2	=	202.21.
Diameter of conduit d_1	32 mm	= 032.
Length l_1	200 mm	= 200.
Classification TOL	yellow	= 10
Order No		= 202.21. 032. 200. 10