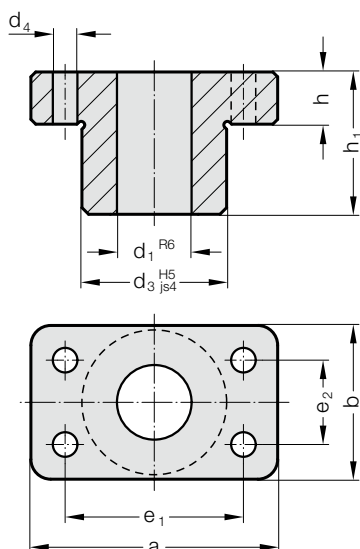


RETENTION BEARING, LOW BUILD HEIGHT

2031.04.



Material:

Special cast iron

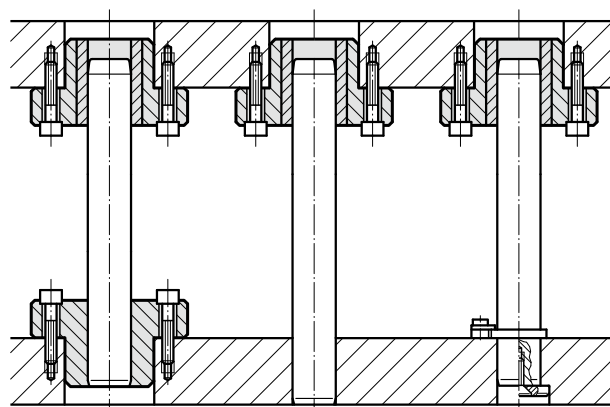
Execution:

Both faces machined to dims. h ; O. D. d_3 turned. Hole fine bored to d_1^{R6} - fit.

Note:

Check squareness of pillars after press-fitting.

Mounting example



2031.04. Retention bearing, low build height

d_1	15 16	19 20	24 25	30 32	38 40	48 50	60 63	80
d_3	32	42	47	62	77	93	107	127
d_4	7	9	9	11	14	18	18	22
a	70	85	90	115	130	160	180	215
b	35	45	50	65	80	96	110	130
e_1	53	64	68	83	95	118	132	160
e_2	19	24	28	34	45	55	62	75
h	16	16	20	23	28	33	33	38
h_1	30	37	47	60	77	95	120	120

Ordering Code (example):

Retention bearing, low build height = 2031.04.

Diameter of conduit d_1 32 mm = 032

Order No = 2031.04. 032