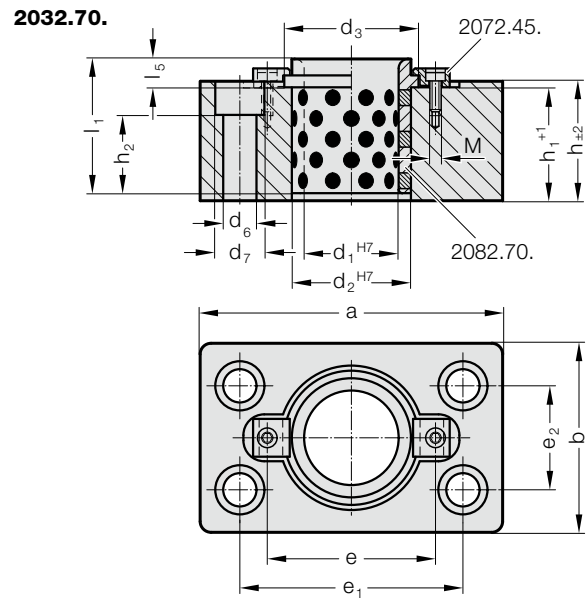
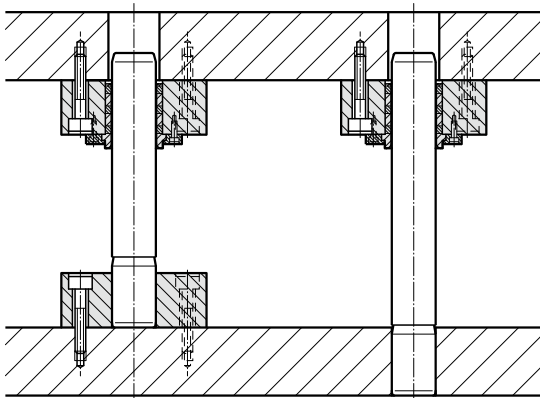


# GUIDE BEARING WITH HEADED GUIDE BUSH WITH SOLID LUBRICANT



## Mounting example



## Material:

Basic body: Steel, St 37

Guide bush 2082.70.: Bronze with solid lubricant, oilless lubricating

## Execution:

Face machined.

## Note:

- ☞ Notes on sliding type guides at the beginning of chapter D.
- ☞ Matching guide combinations, see selection matrix at the beginning of chapter D.

## 2032.70. Guide bearing with headed guide bush with solid lubricant

| Order No    | d <sub>1</sub> | a   | b   | h   | h <sub>1</sub> | d <sub>2</sub> | d <sub>3</sub> | l <sub>1</sub> | l <sub>5</sub> | d <sub>6</sub> | d <sub>7</sub> | h <sub>2</sub> | e   | e <sub>1</sub> | e <sub>2</sub> | M   |
|-------------|----------------|-----|-----|-----|----------------|----------------|----------------|----------------|----------------|----------------|----------------|----------------|-----|----------------|----------------|-----|
| 2032.70.050 | 50             | 160 | 100 | 60  | 57             | 63             | 71             | 71             | 17             | 17.5           | 26             | 40             | 89  | 118            | 55             | M6  |
| 2032.70.063 | 63             | 180 | 125 | 70  | 67             | 80             | 90             | 80             | 19             | 17.5           | 26             | 50             | 123 | 132            | 62             | M10 |
| 2032.70.080 | 80             | 215 | 145 | 90  | 87             | 100            | 112            | 100            | 22             | 22             | 33             | 66             | 143 | 160            | 75             | M10 |
| 2032.70.100 | 100            | 230 | 170 | 110 | 107            | 125            | 140            | 125            | 21             | 22             | 33             | 86             | 168 | 168            | 110            | M10 |
| 2032.70.125 | 125            | 270 | 205 | 140 | 137            | 160            | 180            | 160            | 30             | 26             | 40             | 112            | 203 | 203            | 142            | M10 |
| 2032.70.160 | 160            | 315 | 250 | 180 | 177            | 200            | 220            | 200            | 32             | 26             | 40             | 152            | 243 | 243            | 170            | M10 |