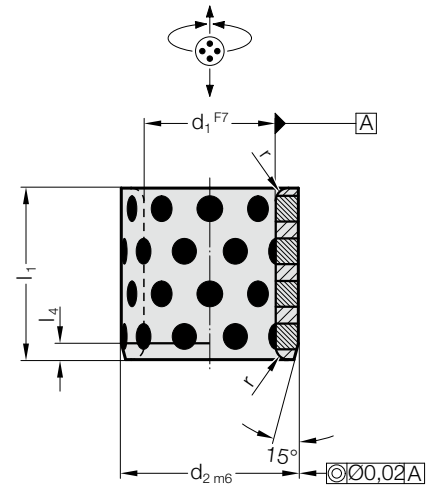


# 导套，带固态润滑剂的青铜



2052.70.



**材料:**  
带固态润滑剂的铜, 易维护

**注意:**  
压入时内径收缩。

**说明:**  
轴套可以在径向和轴向使用。  
☞ 匹配连接请见D章开始的矩阵表格。  
☞ 安装说明/尺寸及公差要求见D章最后。

## 2052.70. 导套，带固态润滑剂的青铜

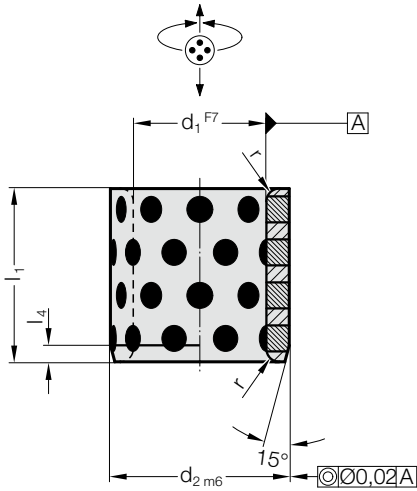
d <sub>1</sub>	8	10	10	12	13	14	15	16	18	19	20	20	20	24	25	25	25	28	30	30	30	30	31.5	32	35	35	38	40	40	
d <sub>2</sub>	12	14	15	18	19	20	21	22	24	25	26	28	30	32	32	33	35	38	40	38	42	40	42	44	45	48	50	55		
r	0.5	0.5	0.5	0.5	0.5	0.5	0.75	0.75	0.75	0.75	0.75	0.75	0.75	0.75	0.75	0.75	0.75	0.75	0.75	0.75	0.75	0.75	0.75	0.75	0.75	1.5	1.5	1.5		
l <sub>4</sub>	2	2	2	2	2	2	2	2	2	2	4	4	4	4	4	4	4	4	4	4	4	4	4	4	4	4	4	4		
l <sub>1</sub>	8	10	12	15	16	18	20	22	24	26	28	30	32	35	37	40	42	45	47	50	55	60	65	70	75	80	85	90	95	
8	●	●																												
10	●	●	●	●	●	●	●	●																						
12	●	●	●	●	●	●	●	●																						
15	●	●	●	●	●	●	●	●	●	●	●	●	●	●	●	●	●	●	●	●	●	●	●	●	●	●	●	●	●	●
16				●	●	●	●	●	●	●	●	●	●	●	●	●	●	●	●	●	●	●	●	●	●	●	●	●	●	●
20	●	●	●	●	●	●	●	●	●	●	●	●	●	●	●	●	●	●	●	●	●	●	●	●	●	●	●	●	●	●
25				●	●	●	●	●	●	●	●	●	●	●	●	●	●	●	●	●	●	●	●	●	●	●	●	●	●	●
30				●	●	●	●	●	●	●	●	●	●	●	●	●	●	●	●	●	●	●	●	●	●	●	●	●	●	●
35									●	●	●	●	●	●	●	●	●	●	●	●	●	●	●	●	●	●	●	●	●	●
37																														
40									●	●	●	●	●	●	●	●	●	●	●	●	●	●	●	●	●	●	●	●	●	●
47																														
50																														
60																														
70																														
77																														
80																														

订购示例:

导套, 带固态润滑剂的青铜 =2052.70.  
 导向装置直径 d<sub>1</sub> 40 mm = 040.  
 外径 d<sub>2</sub> 55 mm = 055.  
 安装长度 l<sub>1</sub> 25 mm = 025  
 订购编号 =2052.70. 040. 055.025

# 导套，带固态润滑剂的青铜

2052.70.



材料：  
带固态润滑剂的铜，易维护

注意：  
压入时内径收缩。

说明：  
轴套可以在径向和轴向使用。  
☞ 匹配连接请见D章开始的矩阵表格。  
☞ 安装说明/尺寸及公差要求见D章最后。

## 2052.70. 导套，带固态润滑剂的青铜

d <sub>1</sub>	45	45	45	50	50	50	55	60	60	63	65	70	70	75	75	80	80	85	90	100	110	120	125	130	140	150	160	
d <sub>2</sub>	56	55	60	60	62	65	70	74	75	75	80	85	90	90	95	96	100	100	110	120	130	140	145	150	160	170	180	
r	1.5	1.5	1.5	1.5	1.5	1.5	2	2	2	2	2	2	2	2	2	2	2	2	2	2	2	2	2	2	2	2	2	
l <sub>4</sub>	4	4	4	4	4	4	4	4	4	4	4	4	4	4	4	4	4	4	4	4	4	4	4	4	4	4	4	
l <sub>1</sub>																												
30	●	●	●	●	●	●	●	●	●	●	●	●	●	●	●	●	●	●	●	●	●	●	●	●	●	●	●	●
35	●	●	●	●	●	●	●	●	●	●	●	●	●	●	●	●	●	●	●	●	●	●	●	●	●	●	●	●
40	●	●	●	●	●	●	●	●	●	●	●	●	●	●	●	●	●	●	●	●	●	●	●	●	●	●	●	●
50	●	●	●	●	●	●	●	●	●	●	●	●	●	●	●	●	●	●	●	●	●	●	●	●	●	●	●	●
60	●	●	●	●	●	●	●	●	●	●	●	●	●	●	●	●	●	●	●	●	●	●	●	●	●	●	●	●
70	●	●	●	●	●	●	●	●	●	●	●	●	●	●	●	●	●	●	●	●	●	●	●	●	●	●	●	●
80	●	●	●	●	●	●	●	●	●	●	●	●	●	●	●	●	●	●	●	●	●	●	●	●	●	●	●	●
95	●	●	●	●	●	●	●	●	●	●	●	●	●	●	●	●	●	●	●	●	●	●	●	●	●	●	●	●
100	●	●	●	●	●	●	●	●	●	●	●	●	●	●	●	●	●	●	●	●	●	●	●	●	●	●	●	●
120	●	●	●	●	●	●	●	●	●	●	●	●	●	●	●	●	●	●	●	●	●	●	●	●	●	●	●	●
130	●	●	●	●	●	●	●	●	●	●	●	●	●	●	●	●	●	●	●	●	●	●	●	●	●	●	●	●
140	●	●	●	●	●	●	●	●	●	●	●	●	●	●	●	●	●	●	●	●	●	●	●	●	●	●	●	●
150	●	●	●	●	●	●	●	●	●	●	●	●	●	●	●	●	●	●	●	●	●	●	●	●	●	●	●	●

订购示例:

导套，带固态润滑剂的青铜	=	2052.70.
导向装置直径 d <sub>1</sub>	40 mm =	040.
外径 d <sub>2</sub>	55 mm =	055.
安装长度 l <sub>1</sub>	25 mm =	025
订购编号	=	2052.70. 040. 055. 025