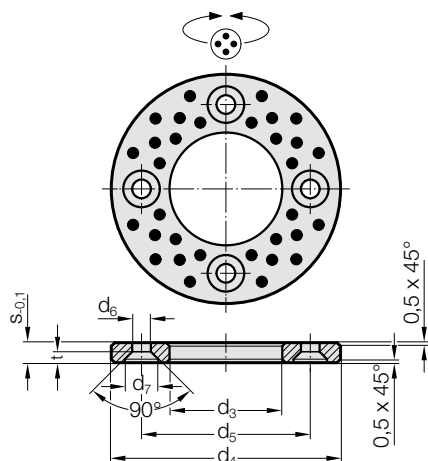


THRUST WASHER, BRONZE WITH SOLID LUBRICANT

2053.70.



Material:

Bronze with solid lubricant, oilless lubricating

Note:

For combination loads use together with Bushes 2052.70.

Screws not included.

Fixing:

from $d_3 = 10,2$ 2 X M3

from $d_3 = 20,2$ 2 X M5

from $d_3 = 40,2$ 2 X M6

from $d_3 = 50,3$ 4 X M6

from $d_3 = 60,3$ 4 X M8

from $d_3 = 90,5$ 4 X M10

2053.70. Thrust washer, Bronze with solid lubricant

d_1	10	12	13	14	15	16	18	20	25	30	35	40	45	50	55	60	65	70	75	80	90	100	120
d_3	10.2	12.2	13.2	14.2	15.2	16.2	18.2	20.2	25.2	30.2	35.2	40.2	45.3	50.3	55.3	60.3	65.3	70.3	75.3	80.3	90.5	100.5	120.5
d_4	30	40	40	40	50	50	50	50	55	60	70	80	90	100	110	120	125	130	140	150	170	190	200
d_5	20	28	28	28	28	28	35	35	40	45	50	60	67.5	75	85	90	95	100	110	120	140	160	175
d_6	3.4	3.4	3.4	3.4	3.4	3.4	3.4	5.5	5.5	5.5	5.5	6.6	6.6	6.6	6.6	9	9	9	9	9	11	11	11
d_7	6.9	6.9	6.9	6.9	6.9	6.9	6.9	11.5	11.5	11.5	11.5	13.7	13.7	13.7	13.7	18.3	18.3	18.3	18.3	18.3	22.7	22.7	22.7
s	3	3	3	3	3	3	3	5	5	5	5	7	7	8	8	8	8	10	10	10	10	10	10
t	1.8	1.8	1.8	1.8	1.8	1.8	1.8	3	3	3	3	3.6	3.6	3.6	3.6	4.6	4.6	4.6	4.6	4.6	5.9	5.9	5.9

Ordering Code (example):

Thrust washer, Bronze with solid lubricant = 2053.70.

Diameter of conduit d_1 40 mm = 040

Order No = 2053.70. 040