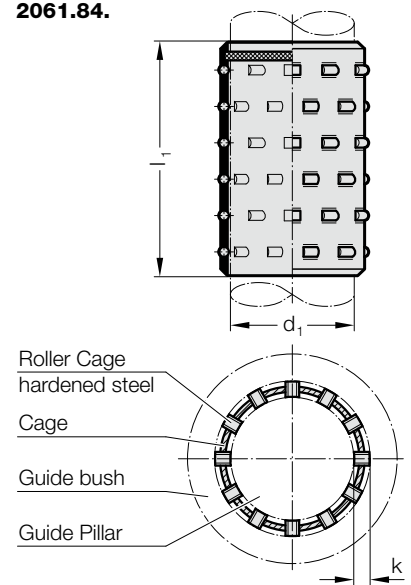


ROLLER CAGE WITH ASSEMBLY AID, BRASS



2061.84.



Description:

Roller cages make linear contact with the guide bush and the guide pillar. This results in a load carrying capacity for each individual roller which is many times that of a ball of the same diameter. Roller bearings feature a FIBRO specific seal, similar to the ball bearings. The profile rollers are arranged in a spiral layout axially, so that every roller has its own path.

Material:

Roller Cage: Brass

Rollers: Steel hardened, 100 Cr6, DIN 5402

Note:

No assistant is needed for their assembly. These cages are equipped with a suitably positioned brake ring insert. That ensures equal cage spacing especially on die sets with multiple pillars.

☞ Preloading see at the beginning of Chapter D

For roller cages use only pairing class guide pillar red = .30 and guide sleeve yellow = .10.

2061.84. Roller cage with assembly aid, Brass

d ₁	19 20	24 25	30 32	38 40	48 50	63
k	3	3	4	4	4	4
l ₁	Total number of rollers					
45	32	40	48			
55	40	50	60	70		
65	48	60	72	84	108	
75	56	70	84	98	126	154
85	64	80	96	112	144	176
95	72	90	108	126	162	198
105	80	100	120	140	180	220
115		110	132	154	198	242
125		120	144	168	216	264
135			156	182	234	286
145			168	196	252	308
155			180	210	270	330
165			192	224	288	352
175				238	306	374
185				252	324	396
205				280	360	440

Ordering Code (example):

Roller cage with assembly aid, Brass = 2061.84.

Diameter of conduit d₁ 38 mm = 038.

Length l₁ 115 mm = 115

Order No = 2061.84. 038. 115