

# SCREW CLAMP WITH SCREW

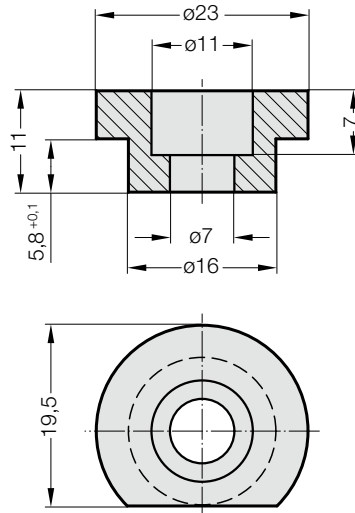
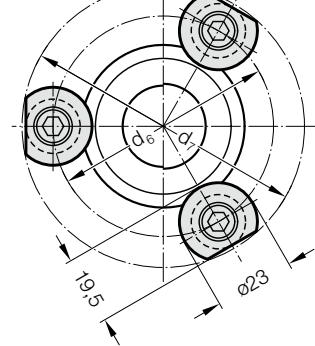
## Screw clamp

2071.45

incl. screw

– clamping height 6 mm

– Socket cap screw DIN EN ISO 4762 M6x20



## Description:

Strengthened holding piece 2071.45 alternative to holding piece 207.45

## Note:

The fastening of the guide post/guide socket is carried out with 3 holding pieces, from  $\varnothing d_1 = 38$  with 4 holding pieces.

## 2071.45 Screw clamp with screw

Nominal diameter	15/16	19/20	24/25	30/32	38/40	48/50	60/63	80
usable for:	2021.28./ 29./ 44./ 46.							
$d_6$	38	42	49	57	67	80	97	112
$d_7$	56,5	60,3	67,1	74,9	84,6	97,4	114,2	129,1
usable for:	2021.39. - 2081.31./ 32./ 33./ 34./ 35. - 2081.44./ 45./ 46./ 47./ 49. - 2081.71./ 74./ 75. - 2081.81./ 84./ 85. - 2081.91./ 94./ 95.							
$d_6$	--	59	65	73	83	97	112	135
$d_7$	--	76,8	82,7	90,5	100,4	114,2	129,1	152
usable for:	210.31./ 34./ 35. - 210.39. - 210.44./ 46.							
$d_6$	53	56	64	75	87	107	127	--
$d_7$	71	73,9	81,7	92,5	104,3	124,1	144	--