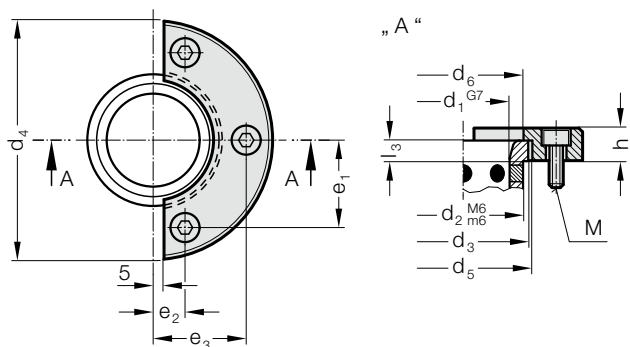


SECURING FLANGE WITH SCREWS, CNOMO

SCREW CLAMP WITH SCREW, CNOMO

2073.45.



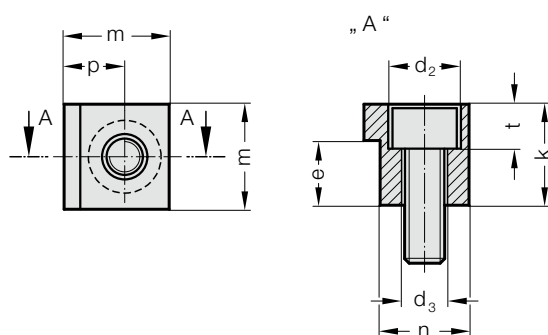
2073.45. Securing flange with screws, CNOMO

Order No	d ₁	d ₂	d ₃	d ₄	d ₅	d ₆	h	l ₃	e ₁	e ₂	e ₃	M
2073.45.020	20	28	32	63	25	10	4	16	18	0	6	
2073.45.025	25	35	40	72	32	10	5	20	20	0	6	
2073.45.032	32	44	50	80	40	12	6	25	21	0	6	
2073.45.040	40	52	60	100	50	12	8	38.5	14	41	6	
2073.45.050	50	63	71	125	63	16	10	46	17	49	8	
2073.45.063	63	80	90	140	80	20	12	55	17	57.5	10	
2073.45.080	80	100	112	180	100	25	16	70	20	72	12	
2073.45.100	100	125	140	200	125	32	20	81	25	85	12	

Securing flange

- according to CNOMO, incl. screws
- steel, turned
- clamping height 4, 5, 6, 8, 10, 12, 16, 20 mm
- M6, M8, M10, M12 screws

2072.48.45.



2072.48.45. Screw clamp with screw, CNOMO

Order No	k	e	d ₂	d ₃	t	m	p	n	d ₁	M
2072.48.45.12	12	8	11	6.6	6.8	18	9.5	15.5	40	6
2072.48.45.16	16	10	15	9	9	22	12	19	50	8
2072.48.45.20	20	12	18	11	11	26	15	21	63	10
2072.48.45.25	25	16	18	11	11	26	15	21	80	10
2072.48.45.32	32	20	18	11	11	26	15	21	100	10

Screw clamp

- according to CNOMO, incl. screw
- steel, milled
- clamping height 8, 10, 12, 16, 20 mm
- M6, M8, M10 screw