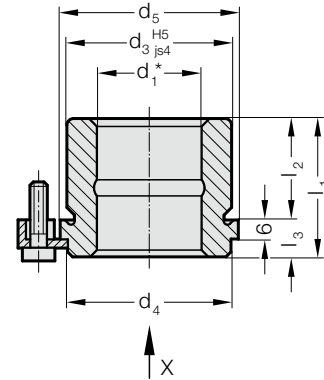
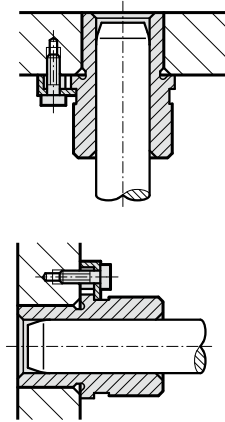


# HEADED GUIDE BUSH, SINTERED FERRITE CARBONITRIDED WITH LONG-TERM LUBRICATION, ISO 9448-6



Mounting example

2081.35.



**Material:**

Sintered ferrite of high purity, carbonitrided, long-term lubrication

**Execution:**

Bearing surfaces and outside diameter precision ground.

**Note:**

The attachment is with 3 Screw clamp, from  $\varnothing d_1 = 38$  with 4 Screw clamp, which are included in delivery (Order No: 207.45 - Screw clamp incl. socket cap screw DIN 6912, Head  $\varnothing 13$ ).

☞ Notes on sliding type guides at the beginning of chapter D.

\*☞ Bearing clearance see pairing classification at the beginning of chapter D.

☞ Matching guide combinations, see selection matrix at the beginning of chapter D.

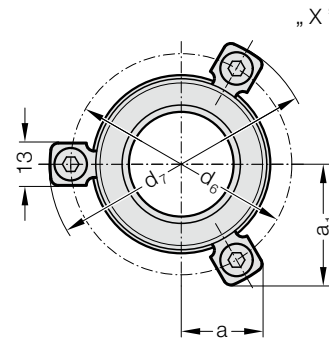
☞ Assembly guide lines / Dimensional requirements and tolerances at the end of chapter D.

Tolerance range:

yellow = .10

green = .20

red = .30



**2081.35. Headed guide bush, sintered ferrite carbonitrided with long-term lubrication, ISO 9448-6**

$d_1$	19 20	24 25	30 32	38 40	48 50	60 63
$d_3$	32	40	48	58	70	85
$d_4$	32	40	48	58	70	85
$d_5$	40	48	56	66	80	95
$d_6$	52	60	67	77	91	106
$d_7$	64.7	72.7	79.7	89.7	103.7	118.7
a	20.7	22.65	24.4	35.3	40.2	45.5
$a_1$	30	33.4	36.4	35.3	40.2	45.5
$l_1$	35	35	42	52	65	80
$l_2$	23	23	30	37	47	60
$l_3$	12	12	12	15	18	20

**Ordering Code (example):**

Headed guide bush, sintered ferrite carbonitrided with long-term lubrication, ISO 9448-6

= 2081.35.

Diameter of conduit  $d_1$

38 mm = 038.

Classification TOL

yellow = 10

Order No

= 2081.35. 038. 10