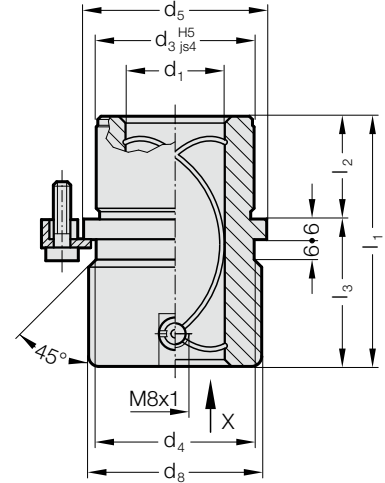
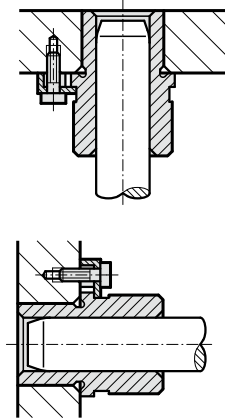


HEADED GUIDE BUSH, BRONZE COATED, ISO 9448-6



Mounting example

2081.84.



Material:

1.0503

ø d₃ and d₈ induction hardened to 500+100 HV 10.

Execution:

Bronze coated internal bore.

Outside diameter fine-ground.

Note:

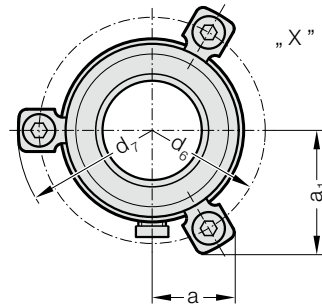
The attachment is with 3 Screw clamp, from ø d₁ = 38 with 4 Screw clamp, which are included in delivery (Order No: 207.45 - Screw clamp incl. socket cap screw DIN 6912, Head ø 13).

Lubrication via funnel lubricating nipple with thread DIN 3405-A M8x1.

☞ Notes on sliding type guides at the beginning of chapter D.

☞ Matching guide combinations, see selection matrix at the beginning of chapter D.

☞ Assembly guide lines / Dimensional requirements and tolerances at the end of chapter D.



2081.84. Headed guide bush, bronze coated, ISO 9448-6

d ₁	19 20	24 25	30 32	38 40	48 50	60 63	80
Tolerance	+0.003/+0.012	+0.003/+0.012	+0.004/+0.015	+0.004/+0.015	+0.004/+0.015	+0.005/+0.018	+0.005/+0.018
d ₃	32	40	48	58	70	85	105
d ₄	32	40	48	58	70	85	105
d ₅	40	48	56	66	80	95	118
d ₆	52	60	67	77	91	106	129
d ₇	65.7	72.7	79.7	89.7	103.7	118.7	141
d ₈	39	46	53	63	77	92	115
a	20.9	22.7	24.4	35.3	40.2	45.5	54.5
a ₁	30.3	33.4	36.4	35.3	40.2	45.5	54.5
l ₁	43	59	75	82	97	116	120
l ₂	23	23	30	37	47	60	60
l ₃	20	36	45	45	50	56	60

Ordering Code (example):

Headed guide bush, bronze coated, ISO 9448-6 = 2081.84.

Diameter of conduit d₁ 38 mm = 038

Order No = 2081.84. 038