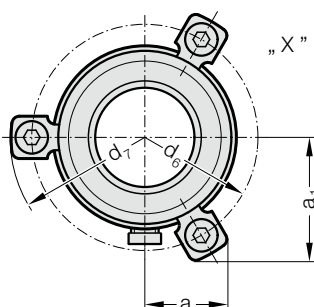
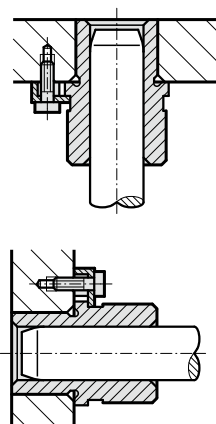
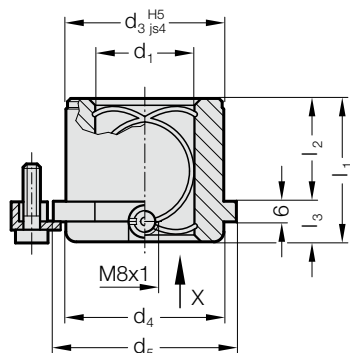


HEADED GUIDE BUSH, BRONZE COATED, ISO 9448-6

2081.85.

Mounting example



Material:

1.0503

$\varnothing d_3$ and d_6 induction hardened to 500+100 HV 10.

Execution:

Bronze coated internal bore.

Outside diameter fine-ground.

Note:

The attachment is with 3 Screw clamp, from $\varnothing d_1 = 38$ with 4 Screw clamp, which are included in delivery (Order No: 207.45 - Screw clamp incl. socket cap screw DIN 6912, Head $\varnothing 13$).

Lubrication via funnel lubricating nipple with thread DIN 3405-A M8x1.

☞ Notes on sliding type guides at the beginning of chapter D.

☞ Matching guide combinations, see selection matrix at the beginning of chapter D.

☞ Assembly guide lines / Dimensional requirements and tolerances at the end of chapter D.

2081.85. Headed guide bush, bronze coated, ISO 9448-6

d_1	19 20	24 25	30 32	38 40	48 50	60 63	80
Tolerance	+0.003/+0.012	+0.003/+0.012	+0.004/+0.015	+0.004/+0.015	+0.004/+0.015	+0.005/+0.018	+0.005/+0.018
d_3	32	40	48	58	70	85	105
d_4	32	40	48	58	70	85	105
d_5	40	48	56	66	80	95	118
d_6	52	60	67	77	91	106	129
d_7	65.7	72.7	79.7	89.7	103.7	118.7	141
a	20.9	22.7	24.4	35.3	40.2	45.5	54.4
a_1	30.3	33.4	36.4	35.3	40.2	45.5	54.4
l_1	35	35	42	52	65	80	80
l_2	23	23	30	37	47	60	60
l_3	12	12	12	15	18	20	20

Ordering Code (example):

Headed guide bush, bronze coated, ISO 9448-6 = 2081.85.
 Diameter of conduit d_1 38 mm = 038
 Order No = 2081.85. 038