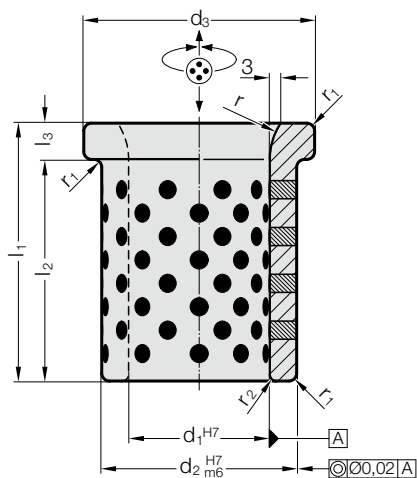


# GUIDE BUSH WITH COLLAR, BRONZE WITH SOLID LUBRICANT

2085.72.



## Material:

Bronze with solid lubricant, oilless lubricating

## Note:

Bushes can be used with radial or axial motion.

☞ Matching guide combinations, see selection matrix at the beginning of chapter D.

☞ Assembly guide lines / Dimensional requirements and tolerances at the end of chapter D.

## Attention:

Note that press fitment reduces inside bush diameter.

## 2085.72. Guide bush with collar, Bronze with solid lubricant

|                |    |    |    |    |    |    |     |     |     |     |     |
|----------------|----|----|----|----|----|----|-----|-----|-----|-----|-----|
| d <sub>1</sub> | 25 | 30 | 40 | 50 | 60 | 65 | 65  | 80  | 80  | 100 | 100 |
| d <sub>2</sub> | 35 | 40 | 55 | 65 | 75 | 80 | 80  | 100 | 100 | 120 | 120 |
| d <sub>3</sub> | 45 | 50 | 65 | 75 | 85 | 90 | 90  | 110 | 110 | 130 | 130 |
| r              | 10 | 20 | 20 | 20 | 20 | 20 | 20  | 20  | 20  | 20  | 20  |
| r <sub>1</sub> | 1  | 1  | 2  | 2  | 2  | 2  | 2   | 2   | 2   | 2   | 2   |
| r <sub>2</sub> | 2  | 2  | 2  | 2  | 2  | 2  | 2   | 2   | 2   | 3   | 3   |
| l <sub>3</sub> | 7  | 10 | 10 | 10 | 10 | 10 | 10  | 10  | 10  | 10  | 10  |
| l <sub>2</sub> | 33 | 40 | 60 | 70 | 70 | 70 | 110 | 90  | 130 | 90  | 130 |
| l <sub>1</sub> | 40 | 50 | 70 | 80 | 80 | 80 | 120 | 100 | 140 | 100 | 140 |

## Ordering Code (example):

|   |         |                   |
|---|---------|-------------------|
| Guide bush with collar, Bronze with solid lubricant | =       | 2085.72.          |
| Diameter of conduit d <sub>1</sub>                  | 60 mm = | 060.              |
| Length l <sub>1</sub>                               | 80 mm = | 080               |
| Order No  | =       | 2085.72. 060. 080 |