

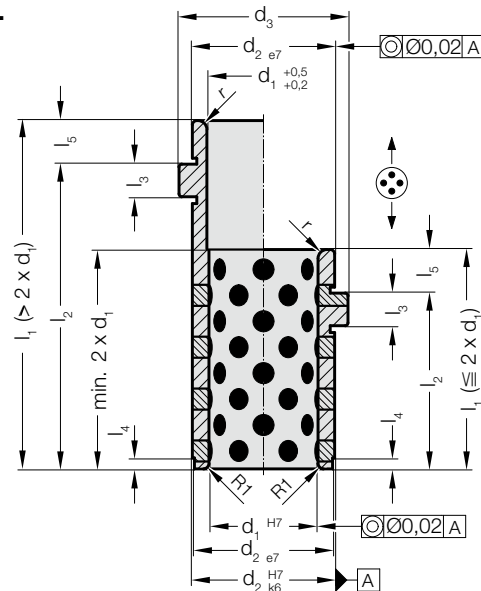
带肩导套，有带固态润滑剂的青铜

2087.70. 带肩导套，有带固态润滑剂的青铜

| d_1 | 9 10 | 14 15 | 18 20 | 22 24 | 30 32 | 40 42 |
|-------------|------|-------|-------|-------|-------|-------|
| d_2 | 14 | 20 | 26 | 30 | 42 | 54 |
| d_3 | 16 | 25 | 31 | 35 | 47 | 60 |
| l_3 | 3 | 6 | 6 | 6 | 6 | 10 |
| l_4 | 1.5 | 2 | 2 | 3 | 4 | 5 |
| l_5 | 3 | 6 | 8 | 8 | 8 | 12 |
| r | 0.5 | 1 | 2 | 3 | 3 | 3 |
| l_1 / l_2 | | | | | | |
| 15 12 | ● | | | | | |
| 20 17 | ● | | | | | |
| 23 17 | | ● | | | | |
| 25 17 | | | ● | ● | | |
| 25 22 | ● | | | | | |
| 28 22 | | ● | | | | |
| 30 22 | | | ● | ● | | |
| 30 27 | ● | | | | | |
| 33 27 | | ● | | | | |
| 35 27 | | | ● | ● | ● | |
| 39 36 | ● | | | | | |
| 42 36 | | ● | | | | |
| 44 36 | | | ● | ● | ● | |
| 49 46 | ● | | | | | |
| 52 46 | | ● | | | | |
| 54 46 | | | ● | ● | ● | |
| 58 46 | | | | | | ● |
| 59 56 | ● | | | | | |
| 62 56 | | ● | | | | |
| 64 56 | | | ● | ● | ● | |
| 68 56 | | | | | | ● |
| 69 66 | ● | | | | | |
| 72 66 | | ● | | | | |
| 74 66 | | | ● | ● | ● | |
| 78 66 | | | | | | ● |
| 82 76 | | ● | | | | |
| 84 76 | | | ● | ● | ● | |
| 88 76 | | | | | | ● |
| 92 86 | | ● | | | | |
| 94 86 | | | ● | ● | ● | |
| 98 86 | | | | | | ● |
| 104 96 | | | ● | ● | ● | |
| 108 96 | | | | | | ● |
| 124 116 | | | ● | ● | ● | |
| 128 116 | | | | | | ● |
| 144 136 | | | ● | ● | ● | |
| 148 136 | | | | | | ● |
| 164 156 | | | | ● | | |
| 168 156 | | | | | | ● |
| 208 196 | | | | | | ● |



2087.70.



材料:

带固态润滑剂的铜，易维护

说明:

☞ 安装说明/尺寸及公差要求见D章最后。

注意:

该导套只能在轴向运动上使用。

订购示例:

| | |
|-----------------|-------------------|
| 带肩导套，有带固态润滑剂的青铜 | =2087.70. |
| 导向装置直径 d_1 | 22 mm = 022. |
| 带凸缘长度 l_2 | 17 mm = 017 |
| 订购编号 | =2087.70. 022.017 |