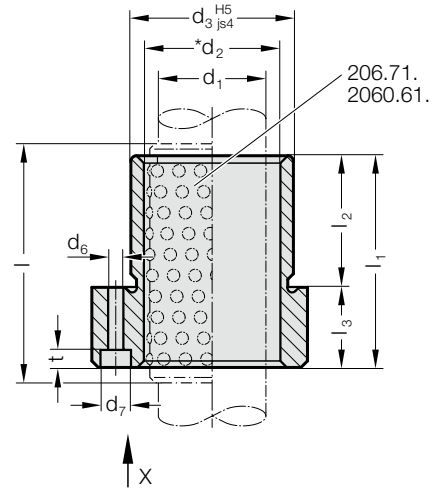
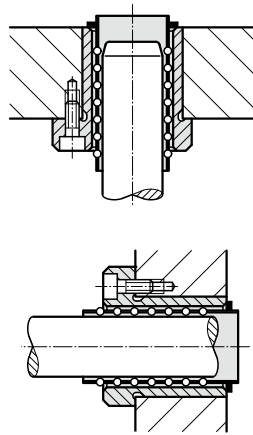


# FLANGED GUIDE BUSH FOR BALL BEARING, ISO 9448-5



Mounting example

2091.45.



**Material:**

Tool steel, hardened  $62 \pm 2$  HRC

**Execution:**

Bearing surfaces honed,  
outside diameter precision ground.

**Note:**

The guide bush is fixed by means of 3 screws up to  $\varnothing 16$ : with screws to DIN 6912, from  $\varnothing 19$ : with screws to DIN EN ISO 4762.

The screws are not contained in the scope of delivery.

☞ Notes on ball bearing type guides at the beginning of chapter D.

\*☞ Preloading see pairing classification at the beginning of chapter D

☞ Matching guide combinations, see selection matrix at the beginning of chapter D.

☞ Ball guide capacity calculations at the end of chapter D.

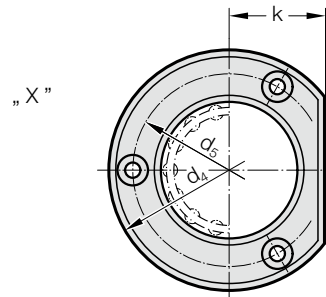
☞ Assembly guide lines / Dimensional requirements and tolerances at the end of chapter D.

Tolerance range:

yellow = .10

green = .20

red = .30



**2091.45. Flanged guide bush for ball bearing, ISO 9448-5**

|                |       |       |       |       |       |       |       |
|----------------|-------|-------|-------|-------|-------|-------|-------|
| d <sub>1</sub> | 15 16 | 19 20 | 24 25 | 30 32 | 38 40 | 48 50 | 60 63 |
| d <sub>2</sub> | 21 22 | 25 26 | 30 31 | 38 40 | 46 48 | 56 58 | 68 71 |
| d <sub>3</sub> | 28    | 32    | 40    | 48    | 58    | 70    | 85    |
| d <sub>4</sub> | 45    | 50    | 63    | 72    | 85    | 104   | 120   |
| d <sub>5</sub> | 35    | 40    | 50    | 58    | 70    | 86    | 100   |
| d <sub>6</sub> | 4.5   | 4.5   | 5.5   | 5.5   | 6.6   | 9     | 9     |
| d <sub>7</sub> | 8     | 8     | 10    | 10    | 11    | 15    | 15    |
| k              | 15    | 18    | 23    | 28    | 33    | 38    | 46    |
| l <sub>1</sub> | 36    | 45    | 55    | 62    | 67    | 89    | 89    |
| l <sub>2</sub> | 30    | 30    | 30    | 37    | 37    | 47    | 47    |
| l <sub>3</sub> | 6     | 15    | 25    | 25    | 30    | 42    | 42    |
| t              | 3.4   | 4.6   | 5.7   | 5.7   | 6.8   | 9     | 9     |
| l*             | 45    | 56    | 71    | 71    | 80    | 95    | 95    |

**Ordering Code (example):**

Flanged guide bush for ball bearing, ISO 9448-5 = 2091.45.  
 Diameter of conduit d<sub>1</sub> 32 mm = 032.  
 Classification TOL yellow = 10  
 Order No = 2091.45. 032. 10