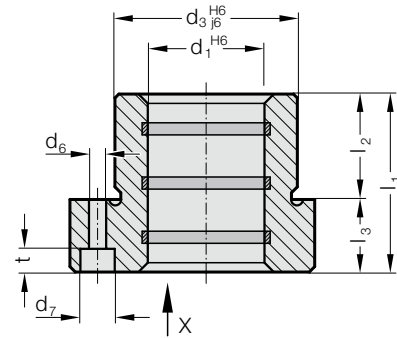
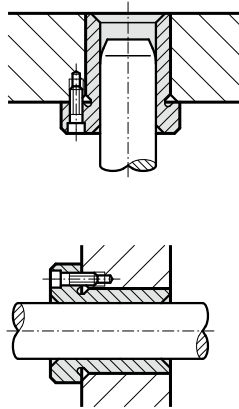


FLANGED GUIDE BUSH ECO-LINE, BRONZE WITH SOLID LUBRICANT RINGS, ISO 9448-4



Mounting example

2091.74.



Material:

Bronze with solid lubricant, oilless lubricating

Execution:

Contact surface with solid lubricant rings.
Outside diameter precision ground.

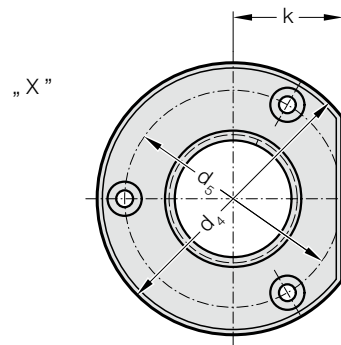
Note:

The guide bush is fixed by means of 3 screws up to $\varnothing 16$: with screws to DIN 6912, from $\varnothing 19$: with screws to DIN EN ISO 4762.
The screws are not contained in the scope of delivery.

☞ Notes on sliding type guides at the beginning of chapter D.

☞ Matching guide combinations, see selection matrix at the beginning of chapter D.

☞ Assembly guide lines / Dimensional requirements and tolerances at the end of chapter D.



2091.74. Flanged guide bush ECO-LINE, Bronze with solid lubricant rings, ISO 9448-4

d ₁	15 16	19 20	24 25	30 32	38 40	48 50
d ₃	28	32	40	48	58	70
d ₄	45	50	63	72	85	104
d ₅	35	40	50	58	70	86
d ₆	4.5	4.5	5.5	5.5	6.6	9
d ₇	8	8	10	10	11	15
k	15	18	23	28	33	38
l ₁	29	38	38	45	55	62
l ₂	23	23	23	30	30	37
l ₃	6	15	15	15	25	25
t	3.4	4.6	5.7	5.7	6.8	9

Ordering Code (example):

Flanged guide bush ECO-LINE, Bronze with solid lubricant rings, ISO 9448-4

= 2091.74.

Diameter of conduit d₁

30 mm = 030

Order No

= 2091.74. 030