

# STAND FOR CONVEYOR BELT

## Stand for conveyor belt, with adjustable slope

2195.120./2195.121.



### Description:

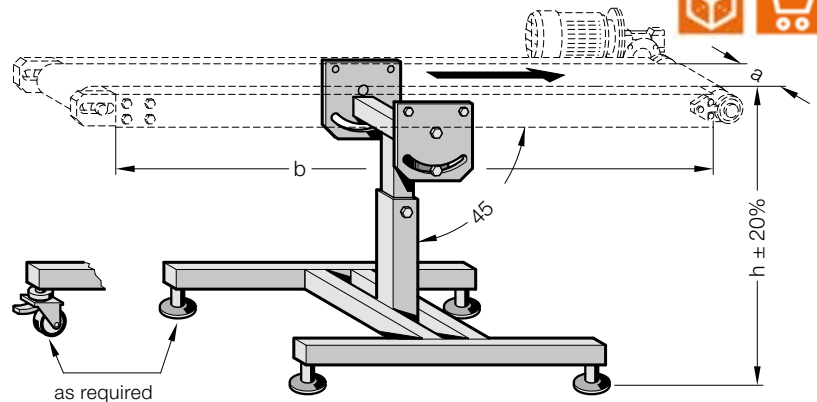
Stand, inclinable with adjustable feet .120.  
Stand, inclinable with adjustable feet .121.

$h$  = height to customer's requirements, min. 450 mm  
 $\pm 20\%$   $h$  = adjustable height range

$a_{max.}$  = 350 mm  
 $b_{max.}$  = 2000 mm

### Ordering Code (example):

Conveyor belt, electrically controlled	=	2195.
Stand, with adjustable feet	=	120.
Height	$h = 450 \text{ mm} =$	0450.
Belt width	$a = 350 \text{ mm} =$	350
Order No.	=	2195.120.0450.350



## Stand for conveyor belt, table frame

2195.130./2195.131.



### Description:

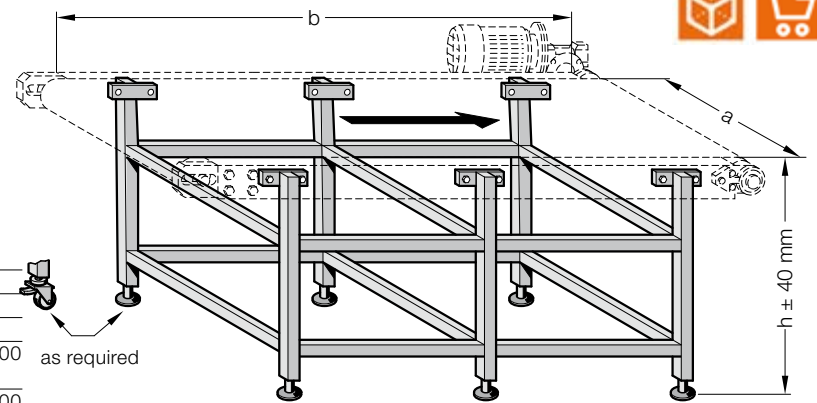
Table format with adjustable feet .130.  
Table format with adjustable castors .131.

$h$  = height to customer's requirements, min. 450 mm

For use with belt width  $a$   
For use with frame length  $b$

### Ordering Code (example):

Conveyor belt, electrically controlled	=	2195.
Stand with adjustable castors	=	131.
Height	$h = 600 \text{ mm} =$	0600.
Belt width	$a = 350 \text{ mm} =$	350.
Nominal belt length	$b = 1000 \text{ mm} =$	1000
Order No.	=	2195.131.0600.350.1000



## Stand for conveyor belt, single

2195.140./2195.141.



### Description:

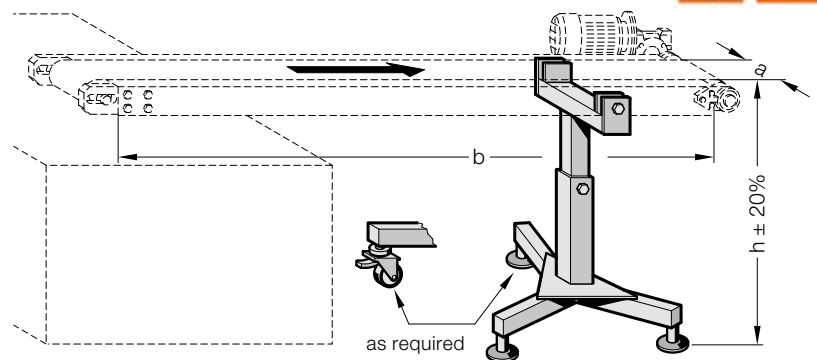
Stand, with adjustable feet .140.  
Stand, with adjustable feet .141.

$h$  = height to customer's requirements, min. 450 mm  
 $\pm 20\%$   $h$  = adjustable height range

$a_{max.}$  = 350 mm

### Ordering Code (example):

Conveyor belt, electrically controlled	=	2195.
Stand with adjustable castors	=	141.
Height	$h = 450 \text{ mm} =$	0450.
Belt width	$a = 350 \text{ mm} =$	350
Order No.	=	2195.141.0450.350



## Stand for conveyor belt, double

2195.150./2195.151.



### Description:

double adjustment with adjustable feet .150.  
double adjustment with adjustable castors .151.

$h$  = height to customer's requirements, min. 450 mm  
 $\pm 20\%$   $h$  = adjustable height range

$a_{max.}$  = 400 mm  
 $b_{max.}$  = 3000 mm

### Ordering Code (example):

Conveyor belt, electrically controlled	=	2195.
Stand with adjustable castors	=	151.
Height	$h = 450 \text{ mm} =$	0450.
Belt width	$a = 400 \text{ mm} =$	400.
Nominal belt length	$b = 3000 \text{ mm} =$	3000
Order No.	=	2195.151.0450.400.3000

