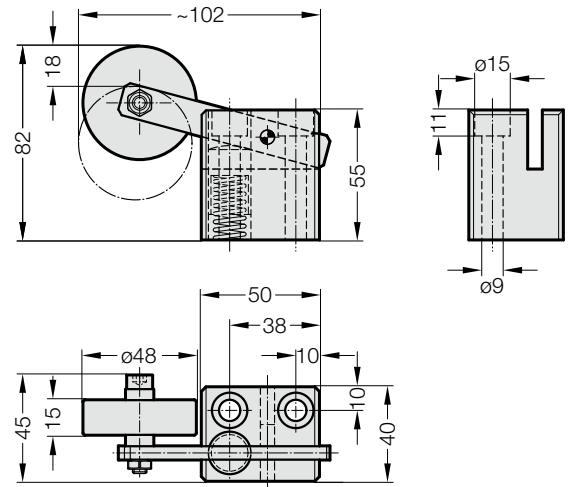


## SPRING MOUNTED ROLLER TO VW STANDARD



2198.50.55.01/.10/.20



### Material:

Base frame: Steel

Track roller, version 01: Steel

Track roller, version 10: Steel / radial deep-groove ball bearing

Track roller, version 20: Steel / coated with polyurethane rubber

### Execution:

Track roller, version 01: Standard

Track roller, version 10: Standard, at high load of the track roller

Track roller, version 20: Standard, for aluminium plates for skin panels

### Note:

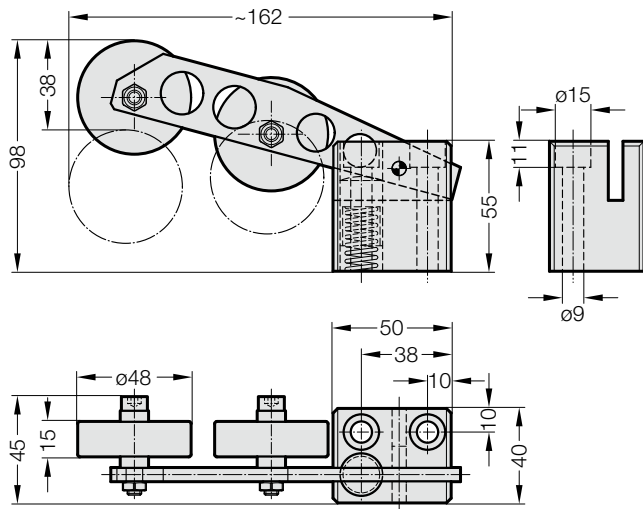
Delivery with cheese head screws DIN EN ISO 4762 M8x60 (2x). For order numbers for track roller spare part and compression springs, see table.

### 2198.50.55.01/.10/.20 Spring mounted roller to VW Standard

Order No	Execution	Track roller	Compression spring	Spring rate [N/mm]
2198.50.55.01	01	2198.50.55.01.07	2198.50.55.01.06	19.1
2198.50.55.10	10	2198.50.55.10.07	2198.50.55.01.06	19.1
2198.50.55.20	20	2198.50.55.20.07	2198.50.55.01.06	19.1

## SPRING MOUNTED ROLLER TO VW STANDARD

2198.50.55.02/.11/.21



### Material:

Base frame: Steel

Track roller, version 02: Steel

Track roller, version 11: Steel / radial deep-groove ball bearing

Track roller, version 21: Steel / coated with polyurethane rubber

### Execution:

Track roller, version 02: In front and sideways of cut-outs

Track roller, version 11: In front and sideways of cut-outs, at high load of the track roller

Track roller, version 21: In front and sideways of cut-outs, for aluminium plates for skin panels

### Note:

Delivery with cheese head screws DIN EN ISO 4762 M8x60 (2x). For order numbers for track roller spare part and compression springs, see table.

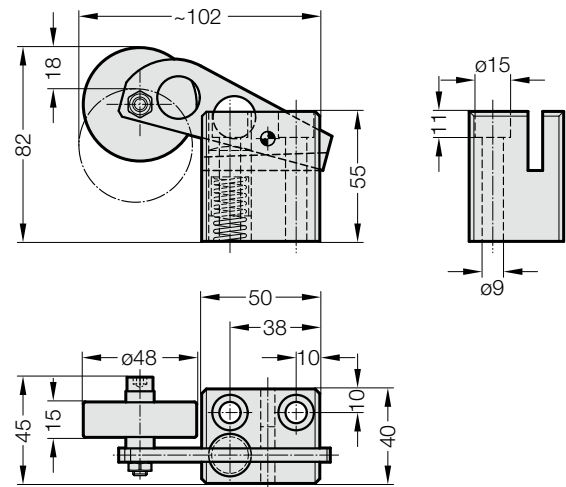
### 2198.50.55.02/.11/.21 Spring mounted roller to VW Standard

Order No	Execution	Track roller	Compression spring	Spring rate [N/mm]
2198.50.55.02	02	2198.50.55.01.07	2198.50.55.01.06	19.1
2198.50.55.11	11	2198.50.55.10.07	2198.50.55.01.06	19.1
2198.50.55.21	21	2198.50.55.20.07	2198.50.55.01.06	19.1

## SPRING MOUNTED ROLLER TO VW STANDARD



2198.50.55.03/.12/.14/.22



### Material:

Base frame: Steel

Track roller, version 03: Steel

Track roller, version 12/14: Steel / radial deep-groove ball bearing

Track roller, version 22: Steel / coated with polyurethane rubber

### Execution:

Track roller, version 03: In front and sideways of cut-outs

Track roller, version 12/14: In front and sideways of cut-outs, at high load of the track roller

Track roller, version 22: In front and sideways of cut-outs, for aluminium plates for skin panels

### Note:

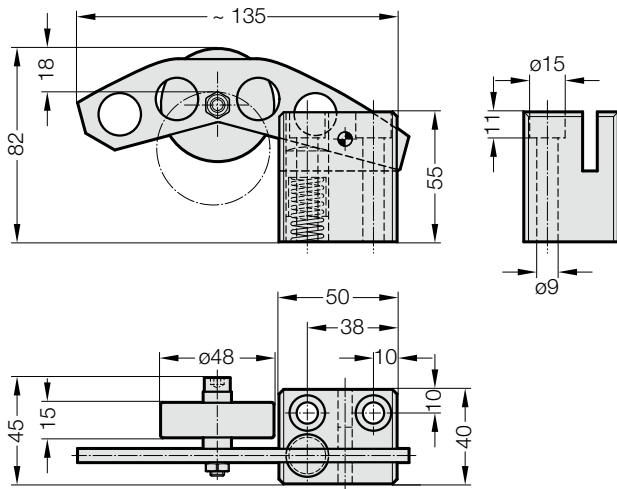
Delivery with cheese head screws DIN EN ISO 4762 M8x60 (2x). For order numbers for track roller spare part and compression springs, see table.

### 2198.50.55.03/.12/.14/.22 Spring mounted roller to VW Standard

Order No	Execution	Track roller	Compression spring	Spring rate [N/mm]
2198.50.55.03	03	2198.50.55.01.07	2198.50.55.01.06	19.1
2198.50.55.12	12	2198.50.55.10.07	2198.50.55.01.06	19.1
2198.50.55.14	14	2198.50.55.10.07	2198.50.55.14.06	7.1
2198.50.55.22	22	2198.50.55.20.07	2198.50.55.01.06	19.1

## SPRING MOUNTED ROLLER TO VW STANDARD

2198.50.55.04/.13/.23



### Material:

Base frame: Steel

Track roller, version 04: Steel

Track roller, version 13: Steel / radial deep-groove ball bearing

Track roller, version 23: Steel / coated with polyurethane rubber

### Execution:

Track roller, version 04: In front and sideways of cut-outs

Track roller, version 13: In front and sideways of cut-outs, at high load of the track roller

Track roller, version 23: In front and sideways of cut-outs, for aluminium plates for skin panels

### Note:

Delivery with cheese head screws DIN EN ISO 4762 M8x60 (2x). For order numbers for track roller spare part and compression springs, see table.

### 2198.50.55.04/.13/.23 Spring mounted roller to VW Standard

Order No	Execution	Track roller	Compression spring	Spring rate [N/mm]
2198.50.55.04	04	2198.50.55.01.07	2198.50.55.01.06	19.1
2198.50.55.13	13	2198.50.55.10.07	2198.50.55.01.06	19.1
2198.50.55.23	23	2198.50.55.20.07	2198.50.55.01.06	19.1