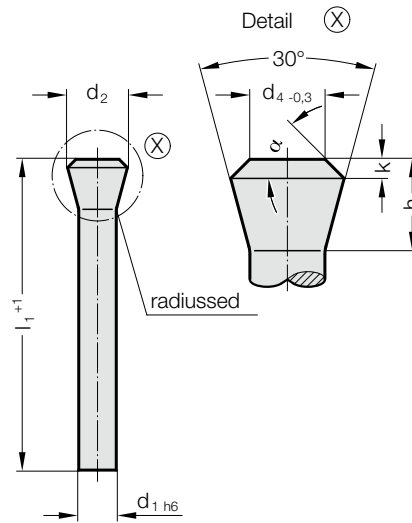


PUNCH WITH TAPERED HEAD 30°, SHAPE D



2281.



2281. Punch with tapered head 30°, Shape D

d ₁	d ₂	d ₄	h	k	α ± 1°	l ₁	100	120
5.5	8.98	5.5	7.5	1	30		●	●
6	9.75	6	8	1	28		●	●
8	12.8	8	10	1	22.5		●	●
9	14.4	9	11	1	20		●	●
10	15.9	10	12	1	19		●	●
12	18.7	12	14	1.5	24			●
14	21.8	14	16	1.5	21			●
16	24.6	16	18	2	25			●

Material:

HSS

Order No 2281.3.

Hardness:

Shaft 58 + 2 HRC

Head ≤ 50 HRC

Description of FIBRO materials for tool and die components see at the beginning of Chapter E.

Execution:

Head hot upset-forged and tempered. Shaft and head subsequently precision plunge-ground for perfect concentricity and full interchangeability with replacement punches.

Ordering Code (example):

Punch with tapered head 30°, Shape D = 2281.

Material MAT HSS = 3.

Shaft diameter d₁ 10 mm = 1000.

Length l₁ 100 mm = 100

Order No = 2281.3.1000.100