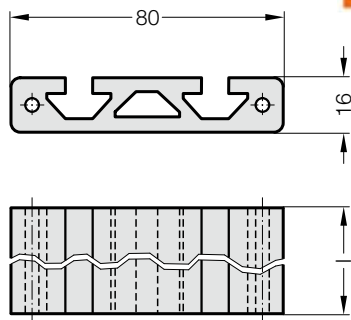


TRANSPORTER ELECTRICAL - ACCESSORIES

PROFILED BEAM

RETAINER BAR

2299.69.20.80.



2299.69.20.80. Profiled beam

Order No	l [m]
2299.69.20.80.1000	1000
2299.69.20.80.2000	2000

Description:

Flexible set-up of multiple channel sections is possible using the profiled beam.

Material:

Aluminium, anodised (corrosion-resistant)

Weight: 2.2 kg/m

Note:

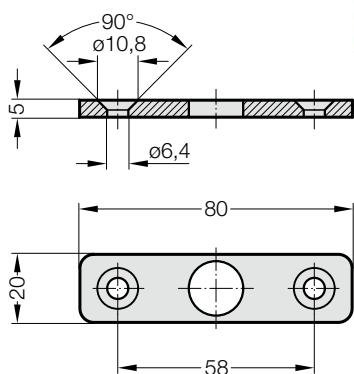
Only use for transporter,

BLACK LINE 2299.60.10100./12100./14100.

Profiled shape SP3100N profile 8 16 x 80

For fastening the profiled bar onto the electric transporter, the 2299.69.20.02.06 flat head screw (M6x20) or the 2299.69.20.01.06 retainer strip must be ordered separately.

2299.69.20.01.06



2299.69.20.01.06 Retainer bar

Description:

The retainer bar is used to fasten the 2299.69.20.80 profiled bar to the electric transporter.

Material:

High-strength steel, black zinc-plated

Weight: 0.16 kg/per pair

Note:

Included in the scope of delivery are two retainer bars with 4 x flat head screws ISO 10642 - 8.8 M6x20.

Only use for

transporter, electric BLACK LINE 2299.60.10100./12100./14100.