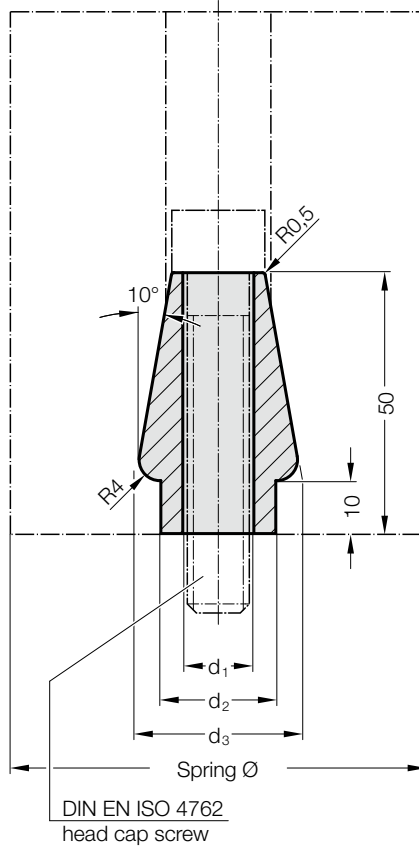


LOCATING BOLT

LOCATING BOLT, THREADED



2441.5.



2441.5.

Locating bolt

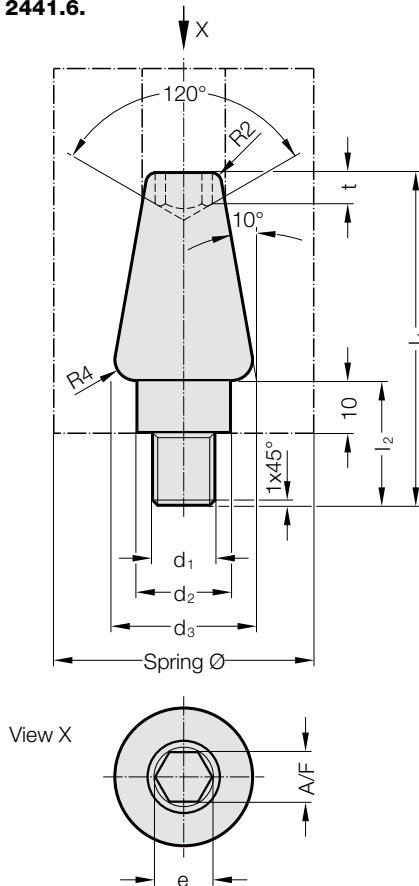
Order No	Spring				Socket cap screw DIN EN ISO 4762	
	\varnothing	d_1	d_2	d_3		
2441.5.10	63	11	18	28	M10x65	
2441.5.12	80	100	13.5	22	32	M12x70
2441.5.16	125	17.5	28	38	M16x70	

Note:

Elastomeric round springs are positioned and secured in place by the locating bolts. Screws are not included.



2441.6.



2441.6.

Locating bolt, threaded

Order No	Spring							
	\varnothing	d_1	d_2	d_3	l_1	l_2	SW	e t
2441.6.12	63	M12	18	28	64	24	10	11.46
2441.6.16	80	100	M16	22	32	68	28	10 11.46
2441.6.20	125	M20	28	38	72	32	14	16 8

Note:

Elastomeric round springs are positioned and secured in place by the locating bolts.