

SPRING UNIT FOR HELICAL SPRING

244.15.0. Spring unit for helical spring

Execution:

Spring unit consists of:

Allen screw DIN EN ISO 4762 (12.9) 2192.12.

Washer 244.7.

Spacer tube 244.9.

Sheave 244.10.

Compression springs ordered separately: 241.14., 241.15., 241.16., 241.17.

Spring \varnothing	$d_1 \times s$	h^*	d_2	d_3	d_4	s_1	s_2
20	10 × 1,8		M6	18	25	3	4
25	12 × 1,8		M8	18	25	3	4
32	16 × 2,5		M10	30	38	4	5
40	20 × 3,5		M12	30	38	4	5
50	25 × 4,0		M16	39	50	6	6
63	35 × 6,0		M20	52	65	6	8

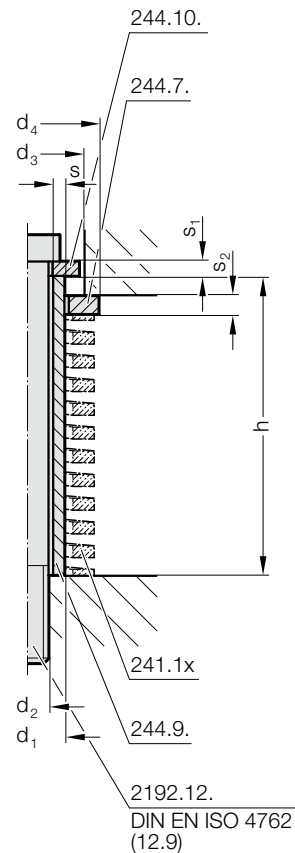
* h = Spacer tube length 244.9.

Ordering Code (example):

Spring unit for helical spring	=	244.15.
not loaded	=	0.
for spring \varnothing = 40 mm	=	040.
Spacer tube length h = 48 mm	=	048
Order No	=	244.15. 0. 040. 048



244.15.0.



2441.15.1. Spring unit for helical spring

Execution:

Spring unit consists of:

Allen screw DIN EN ISO 4762 (12.9) 2192.12.

Washer 244.7.

Spacer tube 244.9.

Sheave 244.10.

Threaded disc 2441.15.

Compression springs ordered separately: 241.14., 241.15., 241.16., 241.17.

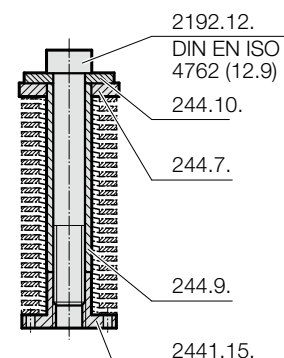
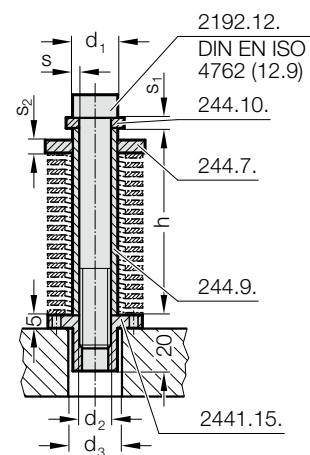
Spring \varnothing	$d_1 \times s$	h^*	d_2	d_3	d_4	s_1	s_2
20	10 × 1,8		M6	11	25	3	4
25	12 × 1,8		M8	14	25	3	4
32	16 × 2,5		M10	18	38	4	5
40	20 × 3,5		M12	22	38	4	5
50	25 × 4,0		M16	27	50	6	6

* h = Spacer tube length 244.9.



2441.15.1.

Mounting examples



Ordering Code (example):

Spring unit for helical spring	=	2441.15.
preloaded	=	1.
for spring \varnothing = 40 mm	=	040.
Spacer tube length h = 48 mm	=	048
Order No	=	2441.15. 1. 040. 048