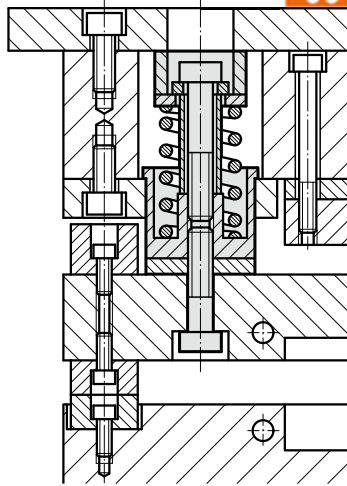


SPRING- AND SPACER UNIT FOR COMPRESSION SPRING, LOW INSTALLATION SPACE, WITHOUT SPACER SLEEVE / SPRING- AND SPACER UNIT FOR COMPRESSION SPRING, LOW INSTALLATION SPACE, WITH SPACER SLEEVE

Mounting example:

with spacer sleeve



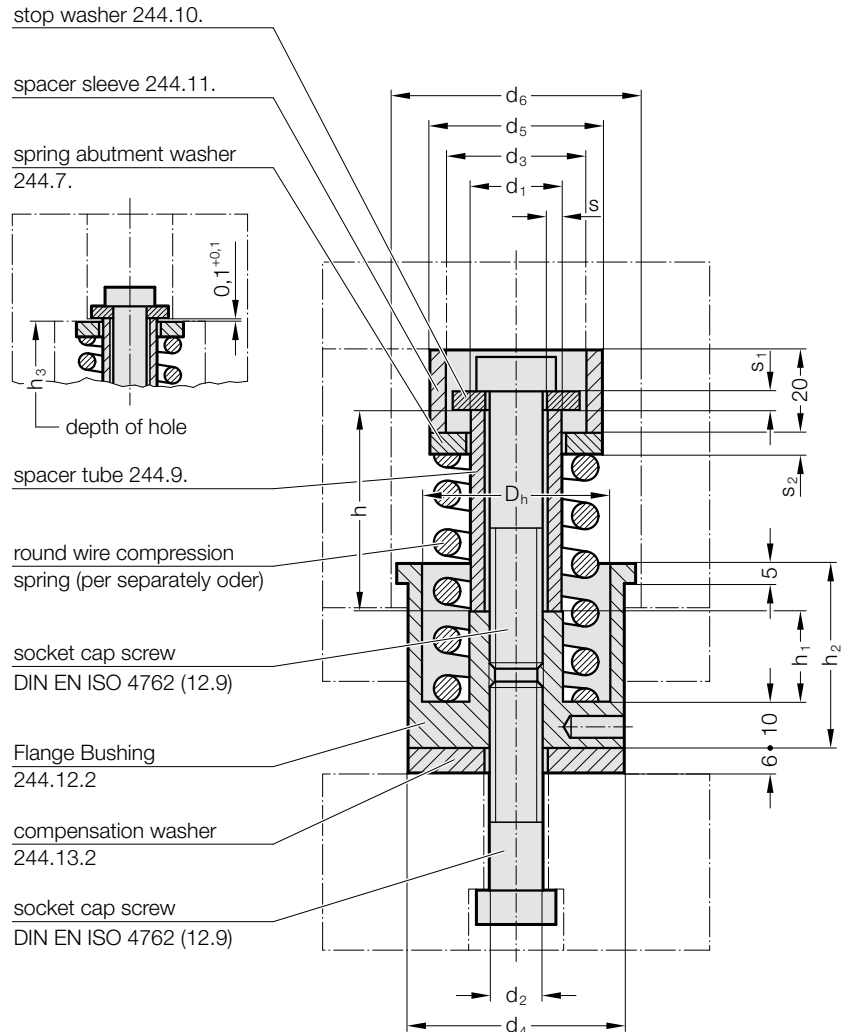
244.□□.3.□□□.10

Application without Spacer Sleeve (c'bored hole)



244.□□.3.□□□.11

Application with Spacer Sleeve (straight hole)



Description:

The preloaded combination spring- and spacer unit combines the functions of providing the spring force and of spacing the stripper in one constructional element, whilst conventional designs employed two.

The resulting advantages therefore consist of space savings and reduced machining cost with regard to the various die members.

The execution with spacer sleeve makes it possible to exchange the whole unit by simply removing the top clamping plate.

Removal of the compensation disc gives unimpeded access to the punches – for the purpose of sharpening/grinding.

Note:

Helical compression springs must be ordered separately, see at the beginning of chapter F. After fitting, the resilient collar pins are ground to the same length.

Attention:

Regrinding of stamp in mm = regrinding of spacer. This means that the spring force and displacement always remain exactly the same. Match the blind hole drill depth h_3 and/or spacer height so that the screw is released by about 0.1 mm.

244.xx.3.xxx.10 Spring- and spacer unit for compression spring, low installation space, without spacer sleeve

244.xx.3.xxx.11 Spring- and spacer unit for compression spring, low installation space, with spacer sleeve

Spring \varnothing	$d_1 \times s$	h^*	d_2	d_3	d_4	d_5	d_6	D_h	s_1	s_2	h_1	h_2
20	10 × 1,8		M6	18	25	25	31	20	3	4	5	36
25	12 × 1,8		M8	18	32	25	38	25	3	4	10	36
32	16 × 2,5		M10	30	38	38	44	32	4	5	16	40
40	20 × 3,5		M12	30	47	38	54	40	4	5	18	40

* h = Spacer tube length 244.9.

Ordering Code (example):

Spring- and spacer unit for compression spring, low installation space, without spacer sleeve

Spring $\varnothing = 32$ mm = 244.32.3.

Spacer tube length $h = 48$ mm = 048.

without spacer sleeve = 10

Order No = 244.32.3. 048. 10

Spring- and spacer unit for compression spring, low installation space, with spacer sleeve

Spring $\varnothing = 20$ mm = 244.20.3.

Spacer tube length $h = 38$ mm = 038.

with spacer sleeve 244.11. = 11

Order No = 244.20.3. 038. 11