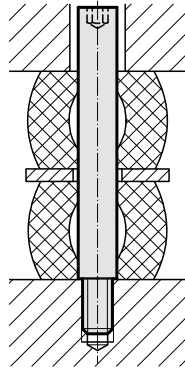


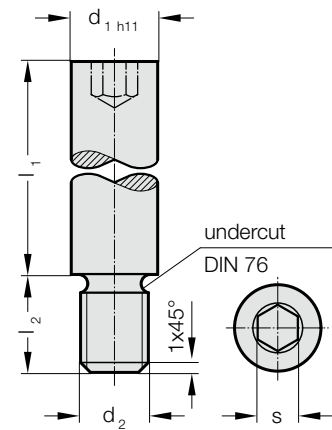
GUIDE PIN TRUST WASHER FOR ELASTOMER SPRINGS



Mounting example



244.5.



Material:

C 15

244.5. Guide pin

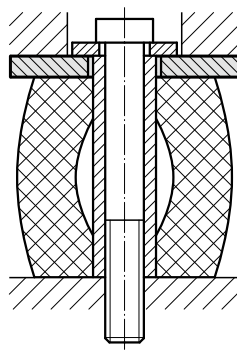
d ₁	6	8	10	13	16	20	25
d ₂	M4	M6	M8	M10	M12	M16	M20
l ₂	6	9	15	15	18	25	30
s	3	4	5	6	8	10	14
l ₁							
20	●	●	●				
25	●	●	●				
32	●	●	●	●	●		
40	●	●	●	●	●		
50		●	●	●	●	●	●
63			●	●	●	●	●
80				●	●	●	●
95				●	●	●	●
118					●	●	●
140					●	●	●
180					●	●	●

Ordering Code (example):

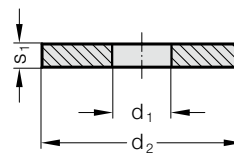
Guide pin	=	244.5.
Nominal diameter d ₁	16 mm =	16.
Guide length l ₁	40 mm =	040
Order No	=	244.5. 16.040



Mounting example



244.6.



Material:

St 37

244.6. Trust washer for elastomer springs

Spring-ø	25	32	40	50	63	80	100	125
d ₁	10.5	13.5	13.5	16.5	16.5	20.5	20.5	26
d ₂	32	40	50	60	80	100	120	150
s ₁	4	5	5	6	8	10	12	15

Ordering Code (example):

Trust washer for elastomer springs	=	244.6.
Spring diameter Spring-ø	63 mm =	063
Order No	=	244.6. 063