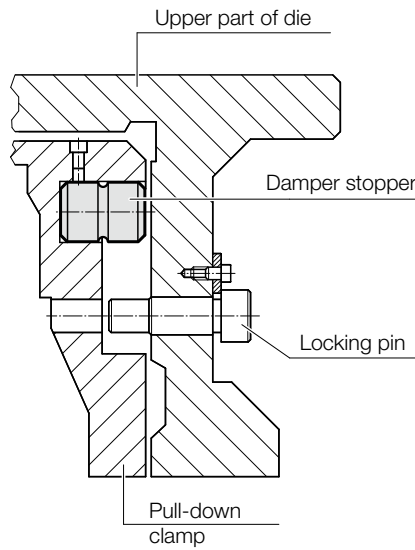


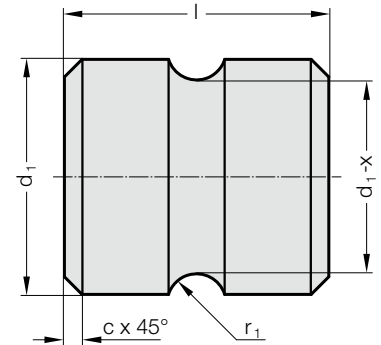
DAMPER STOPPER



Mounting example



2451.10D.



Description:

Damper stopper made of co-polyester elastomer dampen the recoil on the locking and unlocking pins in the manufacturing of jigs. Damper stoppers are used in the automotive and white goods industry. Damper stoppers sit inside the pull-down clamps and are radially stressed. The number and size depends on the weight and the velocity of the pull-down clamps.

Benefits:

- High absorption of force and energy
- Slight settlement
- UV protection
- Long service life and high level of operating safety
- Noise reduction
- High degree of effectiveness

Material:

Co-polyester elastomer, black

Technical data:

Surroundings: Resistant to microbes, seawater, chemicals.

No absorption of water and no swelling.

Grease and oil resistant.

Approved temperature range: -40 °C to +90 °C (-40 °F to +194 °F)

2451.10D. Damper stopper

Order No	Size	d ₁	Cut-in depth x	Cut-in radius r ₁	c	l
2451.10D.040.060	B	40	8	7	3	60
2451.10D.050.070	C	50	10	8	4	70
2451.10D.063.080	D	63	12	9	5	80
2451.10D.080.090	E	80	14	10	6	90

Number and size (B, C, D, E) of damper stoppers for cushioning

Pull-down clamp weight kg	Pull-down clamp speed m/s												
	0.1	0.2	0.3	0.4	0.5	0.6	0.7	0.8	0.9	1	1.1	1.2	1.3
100	3 x B	3 x B	3 x B	3 x B	3 x B	3 x B	3 x B	3 x B	3 x B	4 x B	4 x B	4 x B	4 x B
250	3 x B	3 x B	3 x B	3 x B	3 x B	4 x B	4 x B	4 x B	4 x B	4 x B	4 x B	4 x B	4 x B
500	4 x B	4 x B	4 x B	4 x B	4 x B	4 x B	4 x B	4 x B	4 x B	4 x B	4 x C	4 x C	4 x C
750	4 x B	4 x B	4 x B	4 x B	4 x B	4 x B	4 x C	4 x C	4 x C	4 x C	4 x C	4 x C	4 x C
1000	4 x C	4 x C	4 x C	4 x C	4 x C	4 x C	4 x C	4 x C	4 x C	4 x C	4 x C	4 x D	4 x D
1250	4 x C	4 x C	4 x C	4 x C	4 x C	4 x C	4 x C	4 x C	4 x C	4 x D	4 x D	4 x D	4 x D
1500	4 x C	4 x C	4 x C	4 x C	4 x C	4 x C	4 x D	4 x D	4 x D	4 x D	4 x D	4 x D	4 x E
1750	4 x C	4 x C	4 x C	4 x D	4 x D	4 x D	4 x D	4 x D	4 x D	4 x E	4 x E	4 x E	4 x E
2000	4 x D	4 x D	4 x D	4 x D	4 x D	4 x D	4 x D	4 x D	4 x E	4 x E	4 x E	4 x E	4 x E
2500	4 x D	4 x D	4 x D	4 x D	4 x D	4 x D	4 x E	4 x E	4 x E	4 x E	4 x E	6 x E	6 x E
3000	4 x D	4 x D	4 x D	4 x D	4 x E	4 x E	4 x E	4 x E	4 x E	4 x E	6 x E	6 x E	6 x E
3500	4 x D	4 x E	4 x E	4 x E	4 x E	4 x E	4 x E	4 x E	6 x E	6 x E	8 x E	8 x E	10 x E
4000	4 x E	4 x E	4 x E	4 x E	4 x E	6 x E	6 x E	6 x E	8 x E	8 x E	10 x E	10 x E	10 x E
4500	6 x E	6 x E	6 x E	6 x E	6 x E	8 x E	10 x E	10 x E	10 x E	10 x E	10 x E	10 x E	10 x E
5000	6 x E	6 x E	8 x E	8 x E	8 x E	10 x E	10 x E	10 x E	10 x E	---	---	---	---