

GAS SPRING (SPRING PLUNGER), WITH HEXAGON SOCKET, VDI 3004

Description:

Spring plungers are used as ejectors, damper pins, fixing and retaining pins in many sectors of the tool-, jig- and fixture-making industries. Assembly requires the use of special FIBRO insertion tool (2470.12.010.017).

Note:

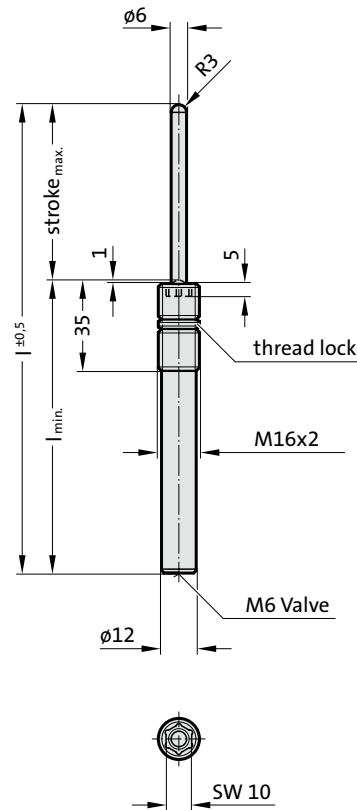
Worn gas springs cannot be repaired, they have to be replaced completely.

Pressure medium: Nitrogen - N₂
 Max. filling pressure: 150 bar
 Min. filling pressure: 6 bar
 Working temperature: 0°C to +80°C
 Temperature related force increase: ± 0.3%/°C
 Max. recommended extensions per minute: approx. 100 (at 20°C)
 Max. piston speed: 1.6 m/s

Upon customers request, also available unfilled, Order No 2479.031.00000....., Colour: black

²⁾ Hexagon nut order supplementary: 2479.004.016.20 (M16 x 2)

2479.031.



2479.031. Gas spring (Spring plunger), with hexagon socket, VDI 3004

Spring type:

Order No*	Stroke _{max.}	l	l _{min.}	.00004.		.00005.		.00010.		.00020.		.00040.	
				F _{initial} [daN]	F _{final} [daN]	F _{initial} [daN]	F _{final} [daN]	F _{initial} [daN]	F _{final} [daN]	F _{initial} [daN]	F _{final} [daN]		
2479.031.□□□□□.010	10	65	55	3.4	6	6	10.3	11	19	21	36.1	42	73
2479.031.□□□□□.020	20	85	65	3.4	5.2	6	9.4	11	17.2	21	32.8	42	66.1
2479.031.□□□□□.030	30	105	75	3.4	5.2	6	9.1	11	16.7	21	31.9	42	64.5
2479.031.□□□□□.040	40	125	85	3.4	5.2	6	9	11	16.5	21	31.5	42	63.7
2479.031.□□□□□.050	50	145	95	3.4	5.4	6	9.6	11	17.6	21	33.6	42	67.7
2479.031.□□□□□.060	60	165	105	3.4	5.4	6	9.4	11	17.3	21	33	42	66.5
2479.031.□□□□□.070	70	185	115	3.4	5.4	6	9.3	11	17	21	32.5	42	65.7
2479.031.□□□□□.080	80	205	125	3.4	5.2	6	9.2	11	16.8	21	32.1	42	65.1
2479.031.□□□□□.100	100	245	145	3.4	5.2	6	9.1	11	16	21	31.9	42	64.3
2479.031.□□□□□.125	125	295	170	3.4	5.2	6	9	11	16.5	21	31.5	42	63.8

*complete with spring type

Spring force marking:

Spring type - Pressure [bar] - Colour:

.00004. - 12 - violet

.00005. - 20 - green

.00010. - 40 - blue

.00020. - 75 - red

.00040. - 150 - yellow

