

# GAS SPRING (SPRING PLUNGER), TO WDX

## Description:

Spring plungers are used as ejectors, damper pins, fixing and retaining pins in many sectors of the tool-, jig- and fixture-making industries. Assembly requires the use of special FIBRO insertion tool (2470.12.010.017).

## Note:

Worn gas springs cannot be repaired, they have to be replaced completely.

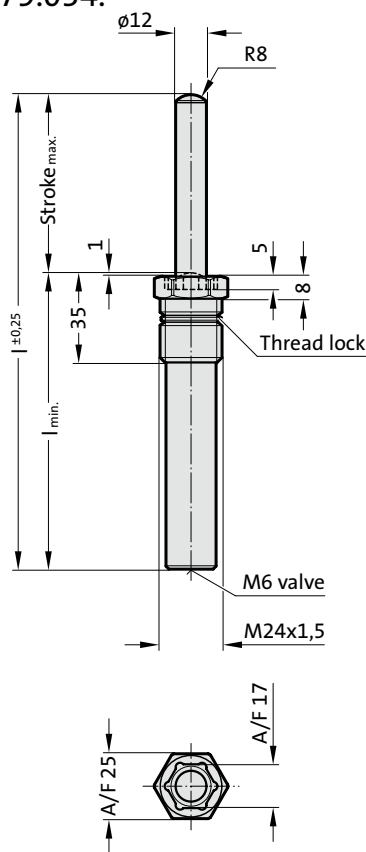
Pressure medium: Nitrogen - N<sub>2</sub>  
 Max. filling pressure: 150 bar  
 Min. filling pressure: 20 bar  
 Working temperature: 0°C to +80°C  
 Temperature related force increase: ± 0.3%/°C  
 Max. recommended extensions per minute: approx. 30 to 80 (at 20°C)  
 Max. piston speed: 1.6 m/s

## Attention!

**Different colour coding for spring force used in WDX standard**

Upon customers request, also available unfilled, Order No 2479.034.00000....., Colour: black

2479.034.



## 2479.034. Gas spring (Spring plunger), to WDX

Spring type:

Order No*	Stroke <sub>max.</sub>	I	I <sub>min.</sub>	.00020.		.00040.		.00080.		.00170.	
				F <sub>initial</sub> [daN]	F <sub>final</sub> [daN]	F <sub>initial</sub> [daN]	F <sub>final</sub> [daN]	F <sub>initial</sub> [daN]	F <sub>final</sub> [daN]	F <sub>initial</sub> [daN]	F <sub>final</sub> [daN]
2479.034.□□□□□.010	10	65	55	23	32.5	45	65	85	122	170	243.5
2479.034.□□□□□.016	16	77	61	23	36.6	45	73.3	85	137.4	170	274.8
2479.034.□□□□□.020	20	85	65	23	36	45	72	85	134.5	170	268
2479.034.□□□□□.025	25	95	70	23	38.9	45	77.8	85	145.9	170	291.8
2479.034.□□□□□.030	30	105	75	23	37.5	45	75	85	141	170	281.5
2479.034.□□□□□.038	38	121	83	23	40.7	45	81.4	85	152.7	170	305.4
2479.034.□□□□□.040	40	125	85	23	38.5	45	77	85	144.5	170	289
2479.034.□□□□□.050	50	145	95	23	42	45	83.5	85	156.5	170	313
2479.034.□□□□□.060	60	165	105	23	42	45	84	85	157	170	314
2479.034.□□□□□.070	70	185	115	23	42	45	84	85	157.5	170	315
2479.034.□□□□□.080	80	205	125	23	42	45	84	85	159	170	315.5
2479.034.□□□□□.100	100	245	145	23	42	45	84.5	85	158	170	316.5
2479.034.□□□□□.125	125	295	170	23	42	45	84.5	85	158.5	170	317

\*complete with spring type

Spring force marking:

Spring type - Pressure [bar] - Colour:

.00020. - 20 - green

.00040. - 40 - blue

.00080. - 75 - red

.00170. - 150 - yellow

