

GAS SPRING ACCESSORIES

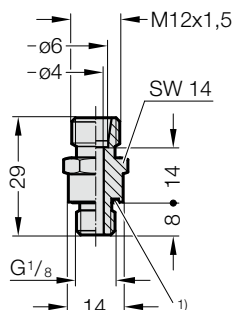
24°-CONE THREADED JOINTS

(DIN 2353 / DIN EN ISO 8434-1)

2480.00.26.03



Screw connection GE-24° conus,
DN5 - G¹/₈

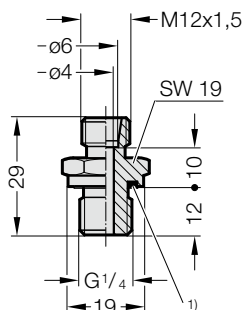


1) Eolastic-Seal ED

2480.00.26.04



Screw connection GE-24° conus,
DN5 - G¹/₄

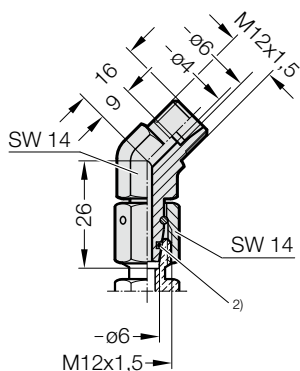


1) Eolastic-Seal ED

2480.00.26.21



Screw connection 45°-24° conus,
DN5, adjustable

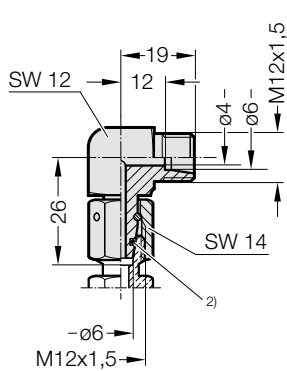


2) O-ring

2480.00.26.22



Screw connection 90°-24° conus,
DN5, adjustable

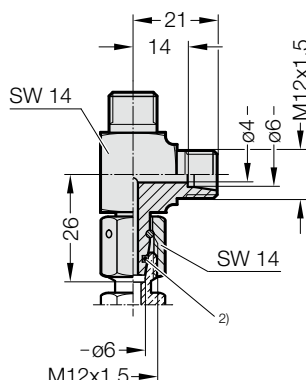


2) O-ring

2480.00.26.23



Screw connection L-24° conus,
DN5, adjustable

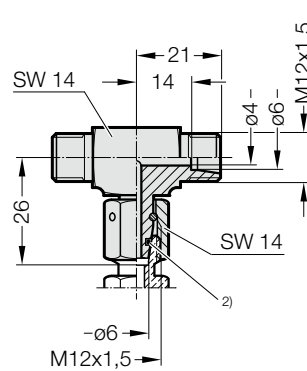


2) O-ring

2480.00.26.24



Screw connection T-24° conus,
DN5, adjustable

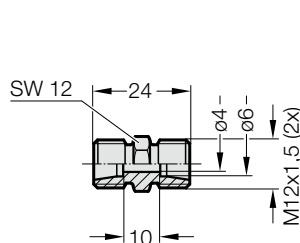


2) O-ring

2480.00.26.25



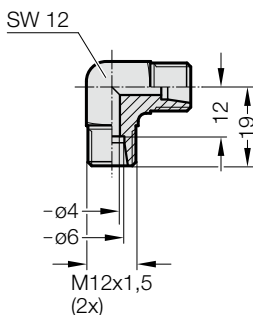
Adapter GE-24° conus,
hose - hose, DN5



2480.00.26.26



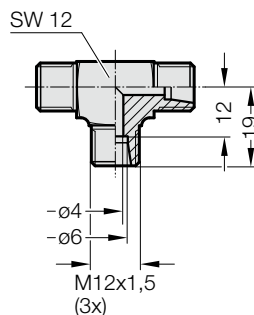
Adapter 90°-24° conus,
hose - hose, DN5



2480.00.26.27



Adapter T-24° conus,
hose - hose, DN5



2480.00.26.28



Adapter K-24° conus,
hose - hose, DN5

