

# GAS SPRING, WITH LOW BUILD HEIGHT

**Note:**

Initial spring force at 150 bar = 470 daN

Order No for spare parts kit: 2485.12.00500

Gas spring without valve

Order No (example): 2485.12.00500 . P

Pressure medium: Nitrogen N<sub>2</sub>

Max. filling pressure: 150 bar

Min. filling pressure: 50 bar

Working temperature: 0°C to +80°C

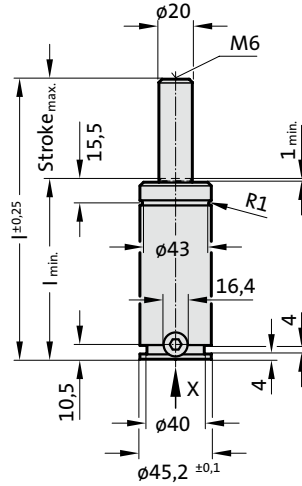
Temperature related force increase: ± 0.3%/°C

Max. recommended extensions per minute:

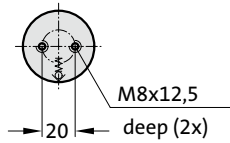
approx. 40 to 80 (at 20°C)

Max. piston speed: 1.6 m/s

2485.12.00500.



View X - Gas spring

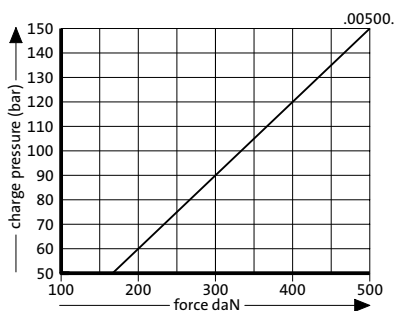


2485.12.00500.

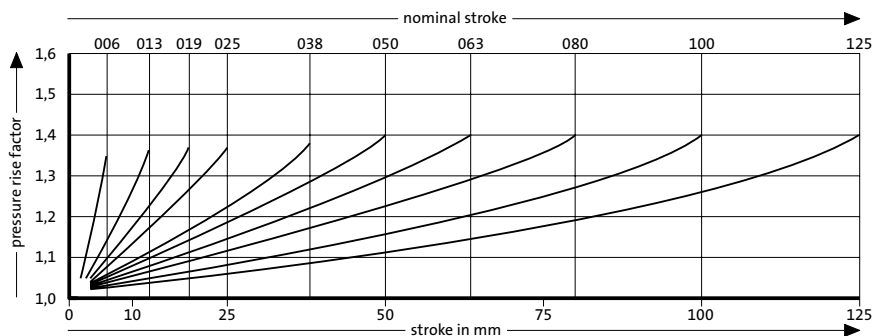
Gas spring, with low build height

Order No	Stroke <sub>max.</sub> (s)	l <sub>min.</sub>	l
2485.12.00500.006	6	56	62
2485.12.00500.013	12.7	62.7	75.4
2485.12.00500.019	19	69.1	88.1
2485.12.00500.025	25	75	100
2485.12.00500.038	38.1	88.1	126.2
2485.12.00500.050	50	100	150
2485.12.00500.063	63.5	113.5	177
2485.12.00500.080	80	130	210
2485.12.00500.100	100	150	250
2485.12.00500.125	125	175	300

Initial spring force versus charge pressure



Spring force Diagram displacement versus stroke rise



Pressure rise factor accounts for displacement but not external influences!