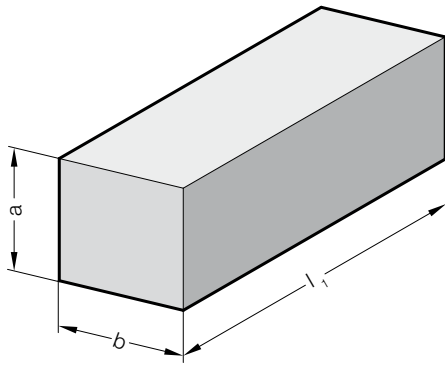


# FIBROFLEX®-方形棒材

252.



**结构:**

FIBROFLEX® 可以用三种不同的邵氏A硬度供货。

.5.=80 Shore A = 绿色

.6.=90 Shore A = 黄色

.7.=95 Shore A = 红色

进一步技术数据在第 G 章开头。

**说明:**

1) 尺寸b经过机械加工

**订购示例:**

FIBROFLEX®-方形棒材	=252.
弹簧硬度	80 Shore A = 5.
高度 a	20 mm = 020.
宽 b	50 mm = 050.
长度 l <sub>1</sub>	1000 mm = 1000
订购编号	=252. 5.020. 050. 1000

252. FIBROFLEX®-方形棒材

a	b		l <sub>1</sub>	250	500	1000
8	8	1)				●
8	15	1)				●
8	25	1)				●
8	50	1)				●
10	10	1)				●
10	15	1)				●
10	25	1)				●
10	50	1)				●
12	12	1)				●
12	20	1)				●
12	30	1)				●
12	50	1)				●
15	15			●	●	●
15	25	1)				●
15	40	1)				●
15	50	1)				●
20	20	1)				●
20	30	1)				●
20	40	1)				●
20	50	1)				●
22	22			●	●	●
25	25	1)				●
25	40	1)				●
25	60	1)				●
25	80	1)				●
30	30			●	●	●
40	40	1)				●
40	60			●	●	●
45	45			●	●	●
50	50			●	●	●
50	180			●	●	●
60	60			●	●	●
60	80			●	●	●
80	80			●	●	●
80	100			●	●	●
100	100			●	●	●
100	125			●	●	●
100	180			●	●	●
125	125			●	●	●