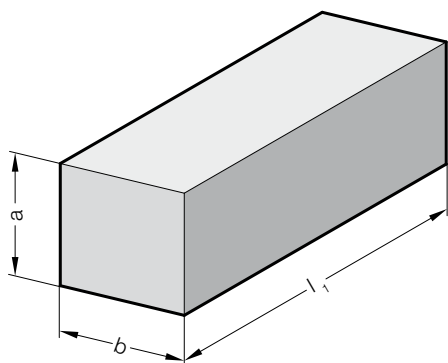


FIBROFLEX®-SQUARE ROD

252.



Execution:

FIBROFLEX® is available in 3 Shore hardnesses:

.5.=80 Shore A = colour: Green

.6.=90 Shore A = colour: Yellow

.7.=95 Shore A = colour: Red

Further technical data at the beginning of Chapter G.

Note:

1) Dimension b machined

Ordering Code (example):

FIBROFLEX®-Square rod	=252.
Spring hardness	80 Shore A = 5.
Height a	20 mm = 020.
Width b	50 mm = 050.
Length l ₁	1000 mm = 1000
Order No	=252. 5.020. 050. 1000

252. FIBROFLEX®-Square rod

a	b		l ₁	250	500	1000
8	8	1)				●
8	15	1)				●
8	25	1)				●
8	50	1)				●
10	10	1)				●
10	15	1)				●
10	25	1)				●
10	50	1)				●
12	12	1)				●
12	20	1)				●
12	30	1)				●
12	50	1)				●
15	15			●	●	●
15	25	1)				●
15	40	1)				●
15	50	1)				●
20	20	1)				●
20	30	1)				●
20	40	1)				●
20	50	1)				●
22	22			●	●	●
25	25	1)				●
25	40	1)				●
25	60	1)				●
25	80	1)				●
30	30			●	●	●
40	40	1)				●
40	60			●	●	●
45	45			●	●	●
50	50			●	●	●
50	180			●	●	●
60	60			●	●	●
60	80			●	●	●
80	80			●	●	●
80	100			●	●	●
100	100			●	●	●
100	125			●	●	●
100	180			●	●	●
125	125			●	●	●