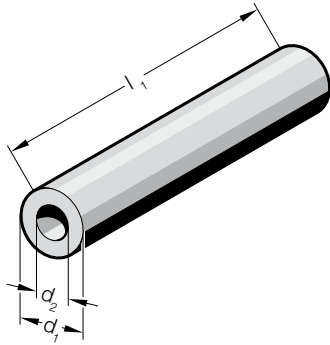


FIBROFLEX®-HOLLOW ROUND ROD

254.



Execution:

FIBROFLEX® is available in 3 Shore hardnesses:

.5.=80 Shore A = colour: Green

.6.=90 Shore A = colour: Yellow

.7.=95 Shore A = colour: Red

Further technical data at the beginning of Chapter G.

Ordering Code (example):

FIBROFLEX®-Hollow round rod	=254.
Spring hardness MAT	80 Shore A = 5.
Outer diameter d_1	80 mm = 080
Order No	=254. 5.080

254. FIBROFLEX®-Hollow round rod

d_1	d_2	l_1	330	500
16	6.5		●	
20	8.5			●
25	10.5			●
32	13.5			●
40	13.5			●
50	17			●
63	17			●
80	21			●
100	21			●
125	27			●
140	50			●
150	50			●
160	50			●
180	50			●
200	50			●