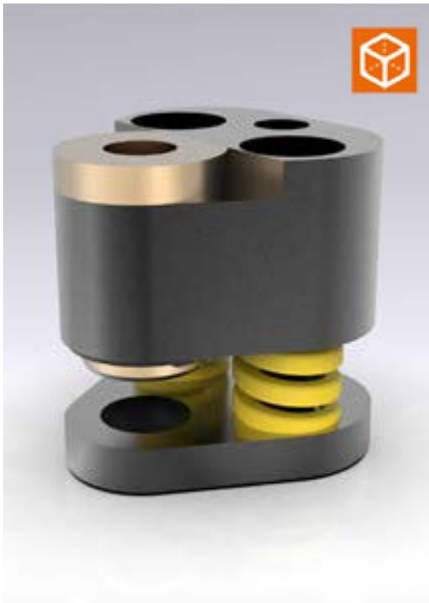
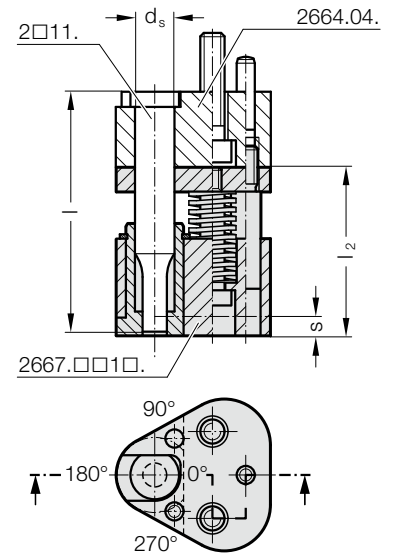
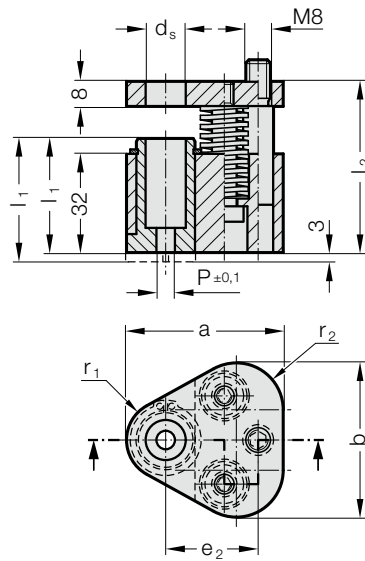


POLY STRIP STRIPPER UNIT, ROUND, FOR ISO 8020 PUNCH



2667.□□1□.



2667.xx1x. POLY STRIP stripper unit, round, for ISO 8020 punch

d _s / (Order Code character)	P	a	b	e ₂	r ₁	r ₂	l ₂ / (Order Code character)	80 (A)	90 (B)	100 (C)	l ₁ / (Order Code character)	37 (A)	40 (B)
								55.5	65.5	75.5	s _(max)	6.5	9.5
10 / (F)	4 - 9,9	44.5	43.7	26.925	9.5	12		●	●	●		●	●
13 / (G)	5 - 12,9	50.8	50	29.97	12.7	15.2		●	●	●		●	●
16 / (H)	8 - 15,9	54	53.2	31.75	14.3	16.8		●	●	●		●	●
20 / (J)	12 - 19,9	60.3	59.5	33.53	17.5	20		●	●	●		●	●
25 / (K)	16,5 - 24,9	69.9	69.1	40.64	22.2	24.7		●	●	●		●	●
32 / (L)	20 - 31,9	69.9	69.1	40.64	22.2	24.7		●	●	●		●	●

d _s / (Order Code character)	Punch length l	80	80	90	90	100	100
	Scraper bush l ₁	37	40	37	40	37	40
	Stripping force max. [N]	1022	884	1280	810	786	1098
10 / (F)		1022	884	1280	810	786	1098
13 / (G)		1022	884	1280	810	786	1098
16 / (H)		2856	1668	3128	1282	1920	2688
20 / (J)		5049	2714	5124	2180	3120	4368
25 / (K)		5049	2714	5124	2180	3120	4368
32 / (L)		5049	2714	5124	2180	3120	4368

Description:

The stripper unit is suitable for use with exterior skin panels.

Use with triangular mounting plate, for punch ISO 8020 2664.02./2664.04.

Material:

Scraper bush: CuZn25Al5 (no. 2.0598)

Scraper plate: 40CrMnMoS8-6 (no. 1.2312)

Pressure plate: 40CrMnMoS8-6 (no. 1.2312)

Note:

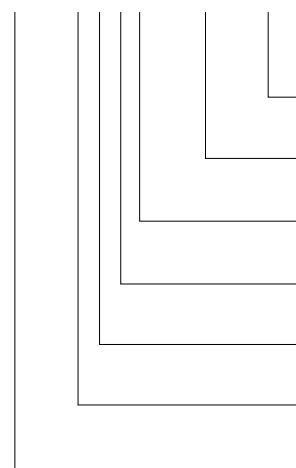
The stripper unit is available in 2 variants: Standard (A) and Long (B).

Long variant of the stripper unit with 3 mm projecting edge suitable for retrofitting a contour.

Choose the position of the cutting form in the scraper bush in accordance with the position of the installed punch in the mounting plate.

Ordering Code (example):

2667.FC1A.0400.A



Cutting form position:

0°

Shape: round

P = ø4,0 mm

Scraper bush length: l₁

Standard

Cutting form:

round

Punch type/length: l

ISO / l = 100 mm

Punch diameter: d₁

d₁ = 10 mm

Stripper unit POLY STRIP

Order Code character

= (A)

= 0400

Order Code character

= (A)

Order No

= (1)

Order Code character

= (C)

Order Code character

= (F)

= 2667