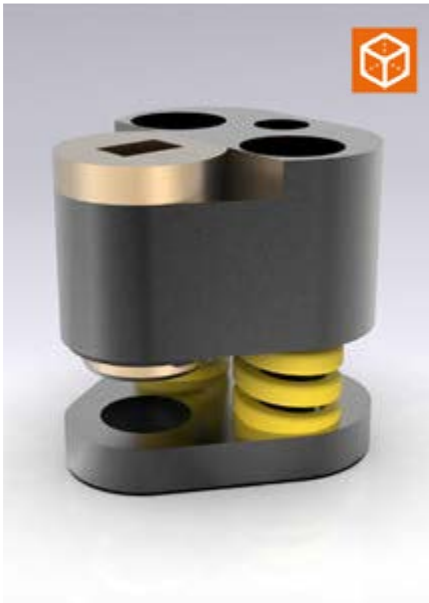
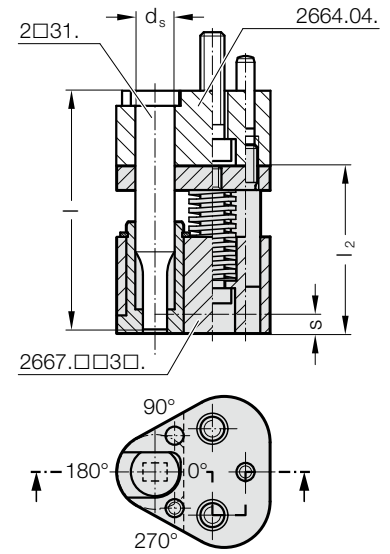
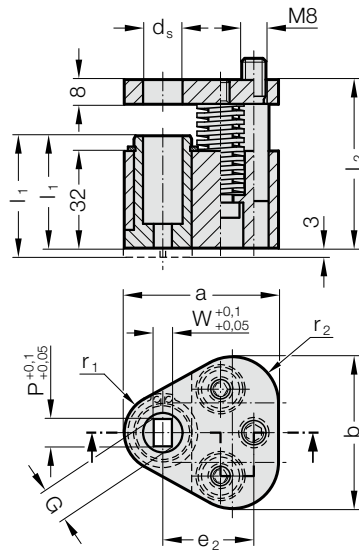


POLY STRIP STRIPPER UNIT, RECTANGLE, FOR ISO 8020 PUNCH



2667.□□3□.



2667.xx3x. POLY STRIP stripper unit, rectangle, for ISO 8020 punch

d _s / (Order Code character)	W _{min}	G _{max}	a	b	e ₂	r ₁	r ₂	l (Order Code character)			l ₁ (Order Code character)	
								80 (A)	90 (B)	100 (C)	S _(max)	37 (A)
10 / (F)	3.5	9.9	44.5	43.7	26.925	9.5	12	55.5	65.5	75.5	6.5	9.5
13 / (G)	4.5	12.9	50.8	50	29.97	12.7	15.2	●	●	●	●	●
16 / (H)	6	15.9	54	53.2	31.75	14.3	16.8	●	●	●	●	●
20 / (J)	8	19.9	60.3	59.5	33.53	17.5	20	●	●	●	●	●
25 / (K)	10	24.9	69.9	69.1	40.64	22.2	24.7	●	●	●	●	●
32 / (L)	10	31.9	69.9	69.1	40.64	22.2	24.7	●	●	●	●	●

d _s / (Order Code character)	Punch length l	Scraper bush l ₁	Stripping force max. [N]	80	80	90	90	100	100
				37	40	37	40	37	40
10 / (F)	1022	884	1280	810	786	1098			
13 / (G)	1022	884	1280	810	786	1098			
16 / (H)	2856	1668	3128	1282	1920	2688			
20 / (J)	5049	2714	5124	2180	3120	4368			
25 / (K)	5049	2714	5124	2180	3120	4368			
32 / (L)	5049	2714	5124	2180	3120	4368			

Description:

The stripper unit is suitable for use with exterior skin panels.

Use with triangular mounting plate, for punch ISO 8020 2664.04.

Material:

Scraper bush: CuZn25Al5 (no. 2.0598)
 Scraper plate: 40CrMnMoS8-6 (no. 1.2312)
 Pressure plate: 40CrMnMoS8-6 (no. 1.2312)

Note:

The stripper unit is available in 2 variants: Standard (A) and Long (B).
 Long variant of the stripper unit with 3 mm projecting edge suitable for retrofitting a contour.
 Choose the position of the cutting form in the scraper bush in accordance with the position of the installed punch in the mounting plate.

Ordering Code (example):

2667.FB3A.0800.0500.A

