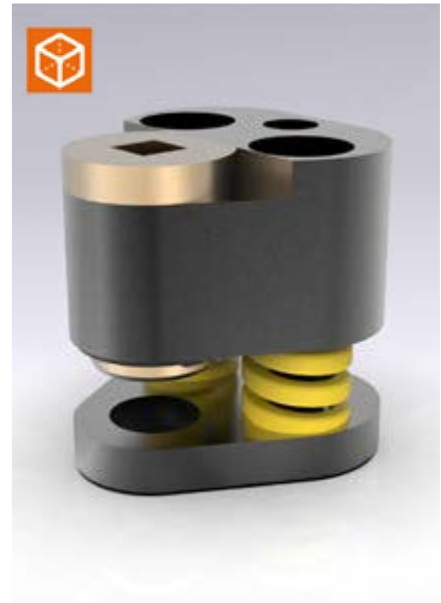
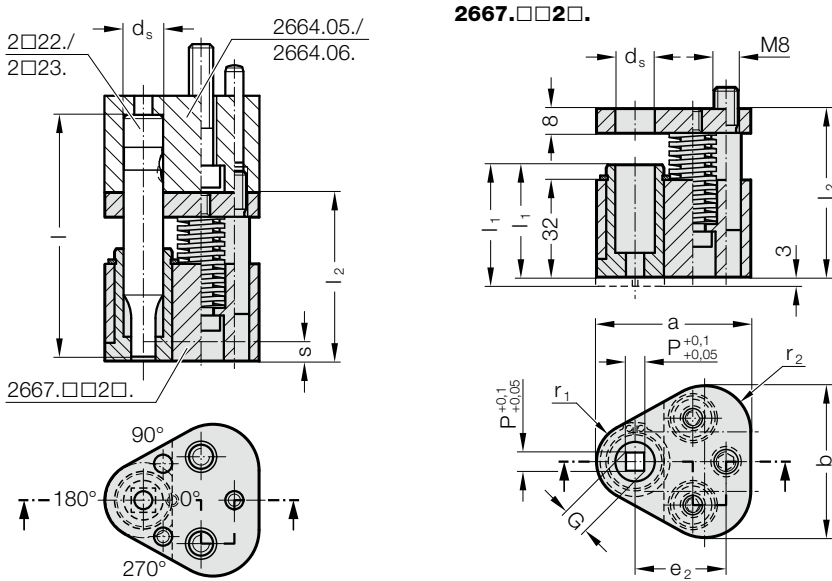


POLY STRIP STRIPPER UNIT, SQUARE, FOR BALL-LOCK PUNCH



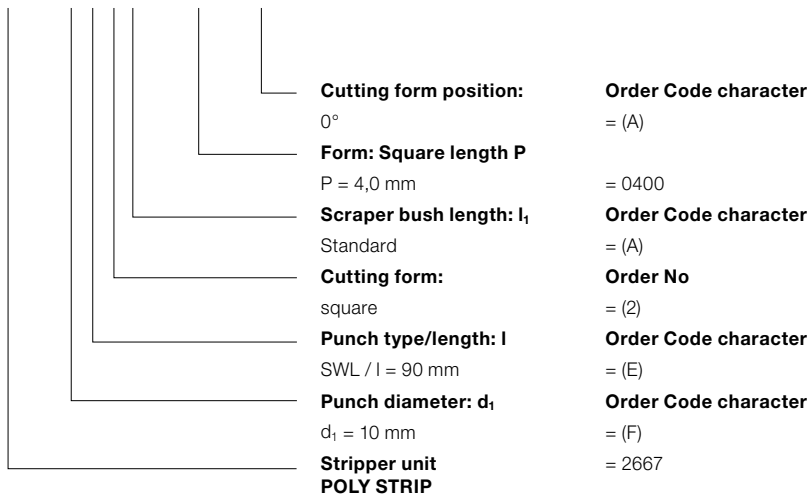
2667.xx2x. POLY STRIP stripper unit, square, for ball-lock punch

d _s / (Order Code character)	P _{min}	G _{max}	a	b	e ₂	r ₁	r ₂	Punch type					l ₁ s _(max)	37 6.5	40 9.5											
								l	SWL	SWS	SWL	SWS				SWL	(Order Code character)	(A)	(B)							
10 / (F)	1.6	9.9	44.5	43.7	26.925	9.5	12	80	90	90	100	100	55.5	55.5	65.5	65.5	75.5	●	●	●	●	●	●	●	●	
13 / (G)	4.5	12.9	50.8	50	29.97	12.7	15.2	●	●	●	●	●	●	●	●	●	●	●	●	●	●	●	●	●	●	
16 / (H)	6	15.9	54	53.2	31.75	14.3	16.8	●	●	●	●	●	●	●	●	●	●	●	●	●	●	●	●	●	●	
20 / (J)	8	19.9	60.3	59.5	33.53	17.5	20	●	●	●	●	●	●	●	●	●	●	●	●	●	●	●	●	●	●	●
25 / (K)	10	24.9	69.9	69.1	40.64	22.2	24.7	●	●	●	●	●	●	●	●	●	●	●	●	●	●	●	●	●	●	●
32 / (L)	12.5	31.9	69.9	69.1	40.64	22.2	24.7	●	●	●	●	●	●	●	●	●	●	●	●	●	●	●	●	●	●	●
38 / (M)	14	37.9	77.4	76	43.9	26	28.5	●	●	●	●	●	●	●	●	●	●	●	●	●	●	●	●	●	●	●
40 / (N)	14	39.9	77.4	76	43.9	26	28.5	●	●	●	●	●	●	●	●	●	●	●	●	●	●	●	●	●	●	●

d _s / (Order Code character)	Punch type	Punch length l	Scraper bush l ₁	Stripping force max. [N]	SWL	SWL	SWL	SWL	SWL	SWL	SWS	SWS	SWS	SWS		
					080	080	090	090	100	100	090	090	100	100		
10 / (F)	37	40	1022	884	1280	810	786	1098	1022	884	1280	810	1022	884	1280	810
13 / (G)	37	40	1022	884	1280	810	786	1098	1022	884	1280	810	1022	884	1280	810
16 / (H)	37	40	2856	1668	3128	1282	1920	2688	2856	1668	3128	1282	2688	2856	1668	3128
20 / (J)	37	40	5049	2714	5124	2180	3120	4368	5049	2714	5124	2180	4368	5049	2714	5124
25 / (K)	37	40	5049	2714	5124	2180	3120	4368	5049	2714	5124	2180	4368	5049	2714	5124
32 / (L)	37	40	5049	2714	5124	2180	3120	4368	5049	2714	5124	2180	4368	5049	2714	5124
38 / (M)	37	40	5049	2714	5124	2180	3120	4368	5049	2714	5124	2180	4368	5049	2714	5124
40 / (N)	37	40	5049	2714	5124	2180	3120	4368	5049	2714	5124	2180	4368	5049	2714	5124

Ordering Code (example):

2667.FE2A.0400.A



Description:

The brush cleaner unit is suitable for use with exterior skin panels. Use with triangular mounting plate, for ball-lock punch 2664.05./06./10.

Material:

Scraper bush: CuZn25Al5 (no. 2.0598)
Scraper plate: 40CrMnMoS8-6 (no. 1.2312)
Pressure plate: 40CrMnMoS8-6 (no. 1.2312)

Note:

The stripper unit is available in 2 variants: Standard (A) and Long (B). Long variant of the stripper unit with 3 mm projecting edge suitable for retrofitting a contour. Choose the position of the cutting form in the scraper bush in accordance with the position of the installed punch in the mounting plate.